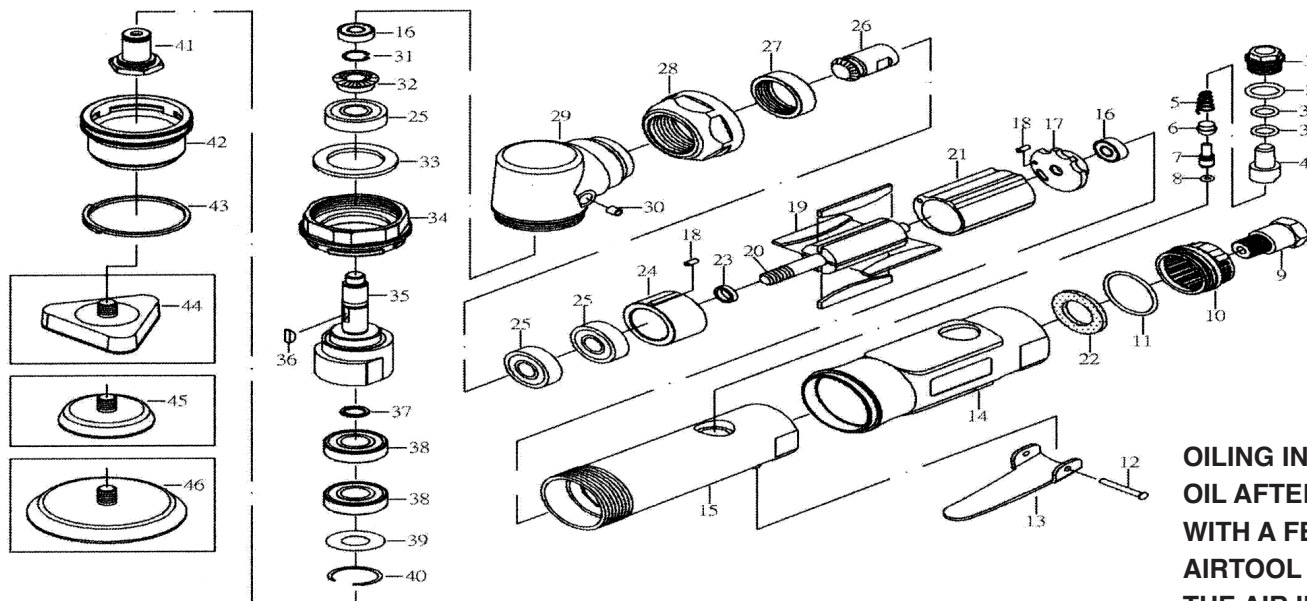


T-8759RS SPOT REPAIR SANDER



OILING INSTRUCTIONS:
OIL AFTER EACH USE
WITH A FEW DROPS OF
AIRTOOL OIL THROUGH
THE AIR INLET. RUN FOR
1 SECOND TO COAT ALL
INTERNAL PARTS.

USE 90 PSI MAXIMUM

REF #	PART #	DESCRIPTION	QTY	REF #	PART #	DESCRIPTION	QTY
1	8759R01	SCREW	1	24	8759R24	FRONT PLATE	1
2	8759R02	O-RING	1	25	8759R25	BEARING	3
3	8759R03	O-RING	2	26	8759RS26	BEVEL GEAR	1
4	8759R04	AIR REGULATOR	1	27	8759R27	NUT	1
5	8759R05	SPRING	1	28	8759R28	CLAMP NUT	1
6	8759R06	VALVE STEM BUSHING	1	29	8759RS29	ANGLE HOUSING	1
7	8759R07	VALVE STEM	1	30	8759R30	GREASE FITTING	1
8	8759R08	O-RING	1	31	8759RS31	SNAP RING	1
9	8759R09	AIR INLET	1	32	8759RS32	BEVEL GEAR	1
10	8759R10	EXHAUST SLEEVE	1	33	8759RS33	WASHER	1
11	8759R11	O-RING	1	34	8759RS34	CLAMP NUT	1
12	8759R12	PIN	1	35	8759RS35	MOTOR SHAFT BALANCER	1
13	8759R13	LEVER	1	36	8759RS36	KEY	1
14	8759R14	RUBBER GUARD	1	37	8759RS37	SNAP RING	1
15	8759R15	HOUSING	1	38	8759RS38	BEARING	2
16	8759R16	BEARING	2	39	8759RS39	WASHER	1
17	8759R17	REAR PLATE	1	40	8759RS40	SNAP RING	1
18	8759R18	PIN	2	41	8759RS41	SHAFT	1
19	8759R19	ROTOR BLADE (SET OF 4)	1set	42	8759RS42	SHROUD	1
20	8759R20	ROTOR	1	43	8759RS43	SKIRT BAND	1
21	8759R21	CYLINDER	1	44	8759RS44	TRIANGLE PAD	1
22	8759R22	MUFFLER	2	45	8759RS45	1" PAD	1
23	8759R23	BEARING SPACER	1	46	8759RS46	2" PAD	1

505 N. Railroad Ave. 33435
P.O. Box 1117 33425
Boynton Beach, FL

SEE MORE OF OUR CATALOG AT
www.taylorpneumatic.com

JUNE 2020 / ALL RIGHTS RESERVED / COPYRIGHT 2020

Ph. (561)732-1111
Fax. (561)731-4412
Toll Free (800) 805-8665