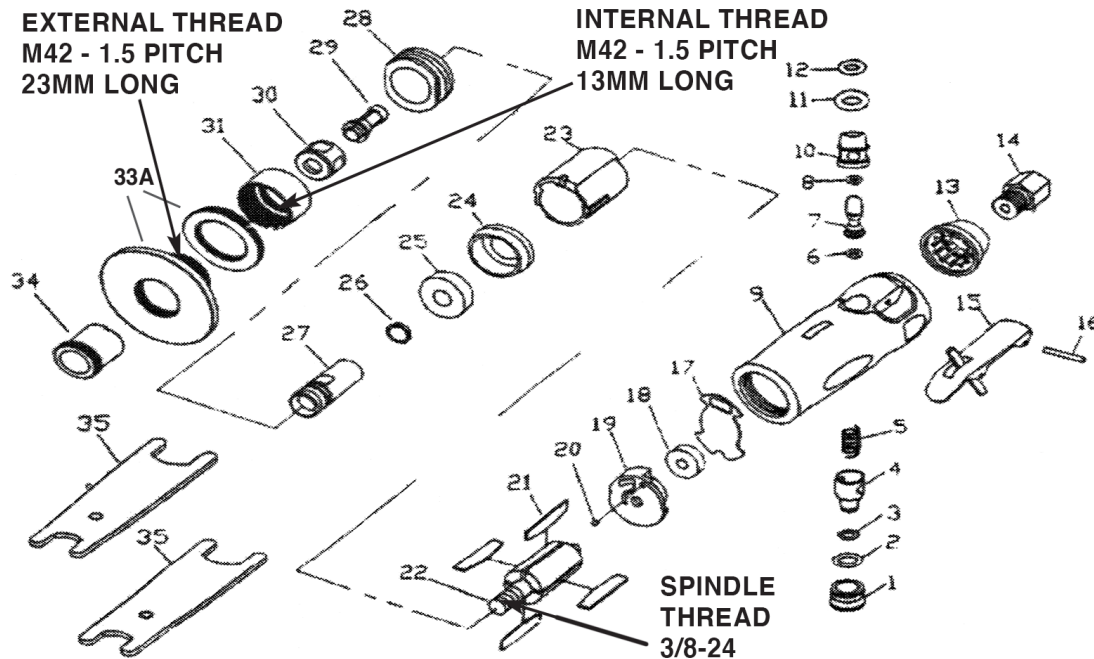


T-8705R 1/4" ROUTER



OILING INSTRUCTIONS:
OIL AFTER EACH USE
WITH A FEW DROPS OF
AIRTOOL OIL THROUGH
THE AIR INLET. RUN FOR
1 SECOND TO COAT ALL
INTERNAL PARTS.



USE 90 PSI MAXIMUM

REF #	PART #	DESCRIPTION	QTY	REF #	PART #	DESCRIPTION	QTY
1	8705R01	PLUG	1	20	8705R20	BALL	1
2	8705R02	O-RING	1	21	8705R21	VANES (4 PER SET)	1set
3	8705R03	O-RING	1	22	8705R22	ROTOR	1
4	8705R04	REGULATOR	1	23	8705R23	CYLINDER	1
5	8705R05	SPRING	1	24	8705R24	FRONT END PLATE	1
6	8705R06	O-RING	1	25	8705R25	BEARING	1
7	8705R07	VALVE STEM	1	26	8705R26	WASHER	1
8	8705R08	O-RING	1	27	8705R27	SPINDLE	1
9	8705R09	MOTOR HOUSING	1	28	8705R28	LOCK RING	1
10	8705R10	VALVE BUSHING	1	29	T-7504	1/4" COLLET	1
11	8705R11	O-RING	1		T-7508	1/8" COLLET (OPTIONAL)	
12	8705R12	O-RING	1	30	8705R30	COLLET NUT	1
13	8705R13	MUFFLER	1	31	8705R31	ADAPTER	1
14	8705R14	AIR INLET	1	33A	870533A	GUIDE PLATE W/ NUT	1
15	8705R15	LEVER	1	34	8705R34	FILLER	1
16	8705R16	LEVER PIN	1	35	8705R35	WRENCH	2
17	8705R17	STEEL PLATE	1				
18	8705R18	BEARING	1				
19	8705R19	BACK END PLATE	1				

505 N. Railroad Ave. 33435
 P.O. Box 1117 33425
 Boynton Beach, FL

SEE MORE OF OUR CATALOG AT
www.taylorpneumatic.com

Ph. (561)732-1111
 Fax. (561)731-4412
 Toll Free (800) 805-8665