

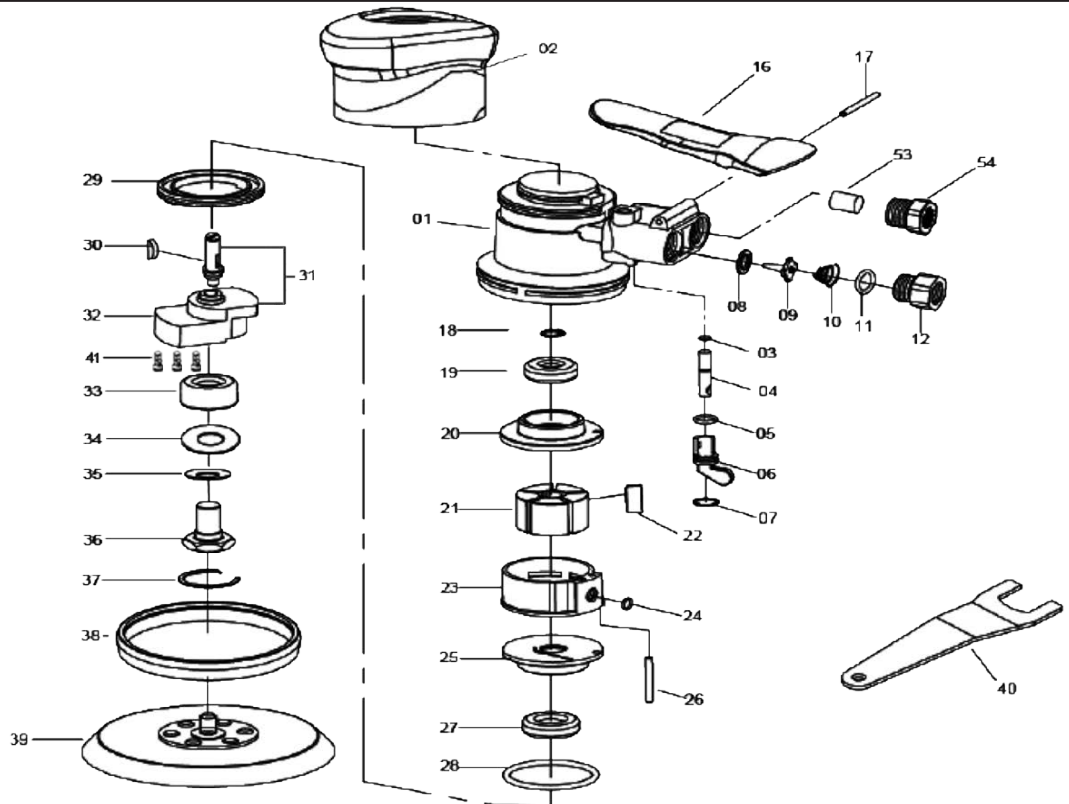
T-7955

5" PALM GRIP DA

(5mm ORBIT)

T-7956

6" PALM GRIP DA



OILING INSTRUCTIONS:
OIL AFTER EACH USE
WITH A FEW DROPS OF
AIRTOOL OIL THROUGH
THE AIR INLET. RUN FOR
1 SECOND TO COAT ALL
INTERNAL PARTS.

USE 90 PSI MAXIMUM

| REF # | PART # | DESCRIPTION | QTY | REF # | PART # | DESCRIPTION | QTY |
|-------|--------|------------------------|------|-------|---------|---------------------------|------|
| 1 | 795501 | HOUSING | 1 | 25 | 795525 | FRONT PLATE | 1 |
| 2 | 795502 | GRIP | 1 | 26 | 795526 | PIN | 1 |
| 3 | 795503 | O-RING | 1 | 27 | 795527 | BEARING | 1 |
| 4 | 795504 | STEM | 1 | 28 | 795528 | O-RING | 1 |
| 5 | 795505 | O-RING | 1 | 29 | 795529 | LOCK-RING | 1 |
| 6 | 795506 | CONTROL | 1 | 30 | 795530 | KEY | 1 |
| 7 | 795507 | C-RING | 1 | 31 | 795531A | SPINDLE / WITH BALANCER | 1set |
| 8 | 795508 | RETAINER | 1 | 33 | 795533 | BEARING | 1 |
| 9 | 795509 | VALVE | 1 | 34 | 795534 | WASHER | 1 |
| 10 | 795510 | SPRING | 1 | 35 | 795535 | WASHER | 1 |
| 11 | 795511 | O-RING | 1 | 36 | 795536 | SHAFT | 1 |
| 12 | 795512 | AIR INLET | 1 | 37 | 795537 | C-RING | 1 |
| 16 | 795516 | LEVER | 1 | 38 | 795538 | HOUSING COVER | 1 |
| 17 | 795517 | PIN | 1 | 39A | T-7415 | 5" PAD | 1 |
| 18 | 795518 | C-RING | 1 | 39B | T-7416 | 6" PAD | 1 |
| 19 | 795519 | BEARING | 1 | 40 | 795540 | SPANNER | 1 |
| 20 | 795520 | END PLATE | 1 | 41 | 795641 | ALLEN SCREW (For 6" Only) | 3 |
| 21 | 795521 | ROTOR | 1 | 53 | 795553 | MUFFER | 1 |
| 22 | 795522 | ROTOR BLADE (SET OF 5) | 1set | 54 | 795554 | EXHAUST COVER | 1 |
| 23 | 795523 | CYLINDER | 1 | | | | |
| 24 | 795524 | O-RING | 1 | | | | |

505 N. Railroad Ave. 33435
P.O. Box 1117 33425
Boynton Beach, FL

FOR WARRANTY REGISTRATION &
WARRANTY INFORMATION VISIT

www.taylorpneumatic.com

FEB 2023 / ALL RIGHTS RESERVED / COPYRIGHT 2023

Ph. (561)732-1111
Fax. (561)731-4412
Toll Free (800) 805-8665