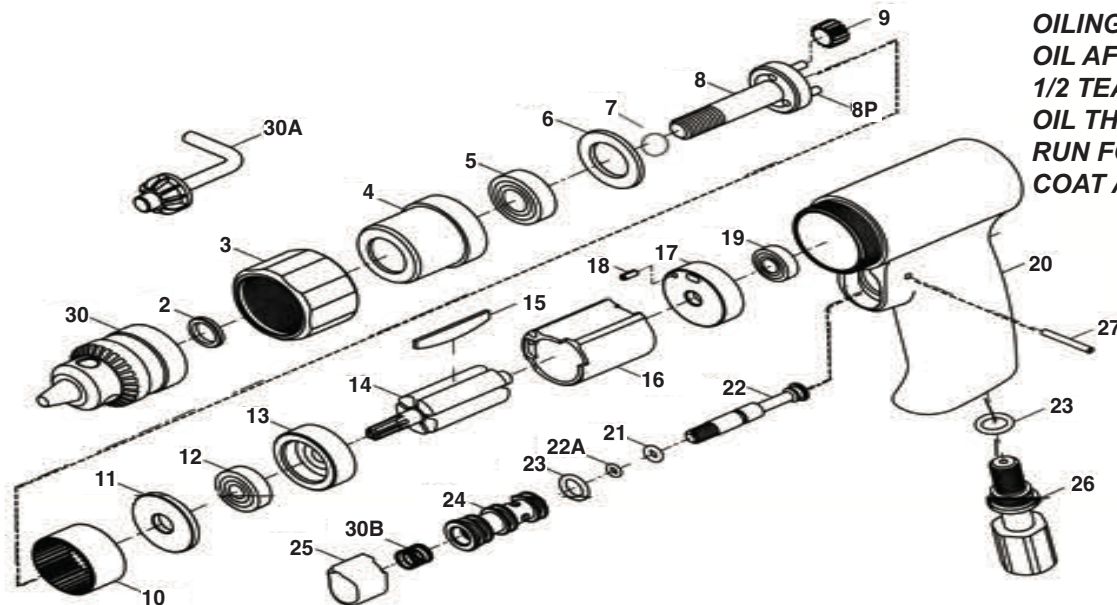


**T-7888, T-78881B,  
T-7888KC, T-7888MK  
1/4" Palm Drills 4500RPM**



**OILING INSTRUCTIONS:**  
OIL AFTER EACH USE WITH  
1/2 TEASPOON OF AIRTOOL  
OIL THROUGH THE AIR INLET.  
RUN FOR ONE SECOND TO  
COAT ALL INTERNAL PARTS

**USE 90 PSI MAXIMUM**

Ref #	Part #	Description	Qty.	Ref #	Part #	Description	Qty.
2	788802N	Spacer	2	22A	788822AN	O-Ring	1
3	788803N	Clamp Nut	1	23	788823N	O-Ring	2
4	788804N	Bearing Housing	1	24	788824N	Valve Bushing	1
5	788805N	Bearing	3	25	788825N	Button	1
6	788806N	Washer	1	26	788826N	Inlet Bushing	1
8	788808N	Carrier	1	27	788827	Pin	1
8A	788808P	Pin	3	30	T-7888-A	1/4" Jacobs Chuck	1
9	788809N	Planet Gear	3	30A	T-7888-B	Chuck Key	1
10	788810N	Internal Gear	1	30	T-9888-KC	1/4" Keyless Chuck	
11	788811N	Washer	1	30	T-7888-SPA	Jacobs 1B Chuck	
12	788812N	Bearing	1	30A	T-7888-SPB	Key for 1B Chuck	
13	788813N	Front End Plate	1	30	T-9888-MKC	Metal Keyless Chuck	
14	788814N	Rotor	1	30B	788830B	Spring	1
15	788815N	Rotor Blades (5 per set)	1set				
16	788816N	Cylinder	1				
17	788817N	Rear End Plate	1				
18	788818N	Roll Pin	1				
19	788819N	Bearing	1				
20	788820N	Handle	1				
21	788821N	O-Ring	1				
22	788822N	Valve Stem	1				

505 N. Railroad Ave. 33435  
P.O. Box 1117 33425  
Boynton Beach, Florida

SEE OUR CATALOG  
at  
[www.taylorpneumatic.com](http://www.taylorpneumatic.com)

0116TPTC /all rights reserved /COPYRIGHT 2016 / final

Ph. (561) 732-1111  
Fax (561) 731-4412  
Toll Free 800-805-8665

# Operating Instructions for Drills

## PLEASE READ AND FOLLOW ALL WARNINGS

### GENERAL INFORMATION-

Use of a 3/8" air hose is recommended. Use the fewest number of quick disconnects possible to minimize air pressure drop. Air pressure at the tool should be 90 PSI or less. Using the least amount of pressure possible will allow you to get the maximum life from your tool. Small air compressors with tanks under 20 gallons may not provide enough air to maintain a constant 90 PSI.

Using too much air pressure is like driving your car at 200 MPH. Your car may go that fast, but will the tires, engine and bearings hold up? Excess air pressure can cause premature wear or tool failure. Never drag a tool by the air hose, doing so can bend the rotor shaft causing permanent damage. Always check a drill, if it is dropped, for damage to the bit or a bent rotor shaft. The size of the hole you are drilling dictates the speed of the drill you need to use. Use slower speed drills for steel and higher speed drills for aluminum. To keep dirt and grinding dust out of your tools, store them in plastic ziplock bags after oiling. If you have specific questions call us at 800-805-8665.

1. ALWAYS DISCONNECT THE TOOL FROM AIR SOURCE WHEN CHANGING ACCESSORIES OR SERVICING THE TOOL.
2. CHECK ALL FASTENERS DAILY. BOLTS MUST BE KEPT TIGHT TO MAINTAIN SAFETY AND TOP TOOL OPERATING PERFORMANCE.
3. STAY IN CONTROL OF YOUR DRILL.
4. VIBRATION MAY BE HARMFUL TO YOUR ARMS AND HANDS. WEAR PROTECTION.
5. INSPECT THE TOOL AND AIR SUPPLY AND AIR HOSE ON A REGULAR BASIS.
6. DO NOT MAKE CONTACT WITH ELECTRICAL LINES.
7. LEAVE TRIGGER OFF BEFORE CONNECTING THE TOOL TO THE AIR SUPPLY. AVOID ACCIDENTAL STARTS.
8. WEAR THE PROPER CLOTHING. DO NOT WEAR JEWELRY, LOOSE CLOTHING, OR LONG HAIR AS IT CAN GET CAUGHT IN ROTATING PARTS. KEEP GLOVES AWAY FROM ROTATING PARTS.
9. DO NOT WORK IN HAZARDOUS ATMOSPHERES WHERE SPARKS COULD IGNITE OR DETONATE FUMES.
10. WATCH WHAT YOU ARE DOING. USE COMMON SENSE WHEN OPERATING PNEUMATIC TOOLS. DO NOT USE PNEUMATIC TOOLS WHEN TIRED OR UNDER THE INFLUENCE OF MEDICATION, ALCOHOL OR DRUGS. SERIOUS PERSONAL INJURY MAY RESULT FROM A MOMENTS INATTENTION.
11. USE 90 PSI AT THE TOOL. USE 3/8" HOSE
12. ONLY USE CLEAN DRY COMPRESSED AIR. NEVER USE OXYGEN, CARBON DIOXIDE, COMBUSTIBLE GASES OR ANY OTHER BOTTLED GAS TO POWER THIS TOOL.
13. STORE TOOLS IN A CLEAN DRY ENVIRONMENT.
14. DO NOT USE DAMAGED TOOLS - MARK, AND RETURN DAMAGED TOOLS FOR SERVICE.
15. NEVER FORCE THE TOOL. LET THE TOOL DO THE WORK.
16. STOP USE IMMEDIATELY IF TOOL IS MAKING AN UNUSUAL NOISE OR VIBRATION. HAVE TOOL CHECKED BY PROFESSIONAL TECHNICIAN.
17. KEEP CHILDREN, PETS AND BYSTANDERS AWAY WHILE OPERATING A PNEUMATIC TOOL. DISTRACTIONS CAN CAUSE YOU TO LOSE CONTROL.
18. THESE WARNINGS AND INSTRUCTIONS CAN NOT COVER ALL POSSIBLE CONDITIONS OR SITUATIONS. THE OPERATOR MUST UNDERSTAND THAT COMMON SENSE AND CAUTIONS ARE FACTORS WHICH CAN NOT BE BUILT INTO THE PRODUCT BUT MUST BE SUPPLIED BY THE OPERATOR.

### ADDITIONAL INFORMATION IS AVAILABLE FROM:

**AMERICAN NATIONAL STANDARDS INSTITUTE**

**11 WEST 42ND ST.**

**NEW YORK, NY 10036**

**REQUEST A COPY OF ANSI B186.1 SAFETY CODE FOR PORTABLE AIR TOOLS.**

### LIMITED LIFETIME WARRANTY

Most products of Taylor Pneumatic are warranted to be free from defects in material and workmanship for the life of the tool. This warranty applies to the original purchaser only. This warranty does not cover tools that have been abused, misused, modified, not properly lubricated or to normal wear and tear. Taylor Pneumatic will at its option repair or replace the defective product free of charge except for shipping. Taylor Pneumatics sole liability and your exclusive remedy under this warranty is limited to the repair or replacement of the defective product. There are no other warranties expressed or implied and Taylor Pneumatic shall not be liable for incidental, consequential, or special damages, expenses or costs except as described above. WARRANTY VOID IF TOOL IS DISASSEMBLED. Return tools to **Taylor Pneumatic**. Be sure to include your name, address, proof of purchase and description of the suspected defect.

This warranty applies to the basic tool. It does not apply to wear and tear on accessories or consumables such as drill chucks, backing pads for sanders, punch and dies for nibblers, spray gun cups or accessories from a kit.