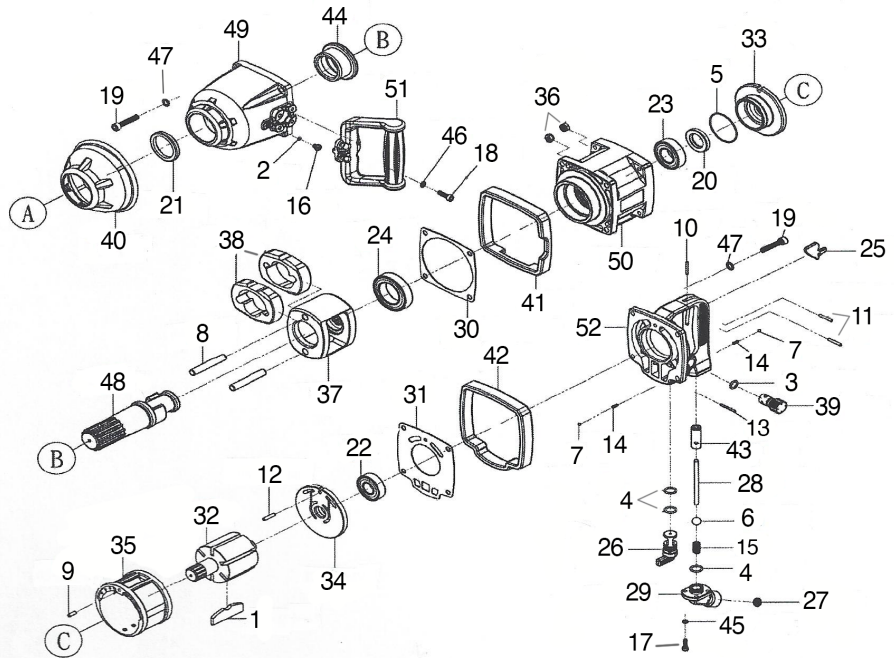


# T-7795L

## 2" #5 SPLINE IMPACT WRENCH



**OILING INSTRUCTIONS:**  
**OIL AFTER EACH USE**  
**WITH A FEW DROPS OF**  
**AIRTOOL OIL THROUGH**  
**THE AIR INLET. RUN FOR**  
**1 SECOND TO COAT ALL**  
**INTERNAL PARTS.**



### USE 90 PSI MAXIMUM

REF #	PART #	DESCRIPTION	QTY	REF #	PART #	DESCRIPTION	QTY
1	7795L01	ROTOR BLADE	6	27	7795L27	SCREEN	1
2	7795L02	O-RING	1	28	7795L28	VALVE ROD	1
3	7795L03	O-RING	1	29	7795L29	AIR INLET	1
4	7795L04	O-RING	3	30	7795L30	GASKET	1
5	7795L05	O-RING	1	31	7795L31	GASKET	1
6	7795L06	PLASTIC BALL	1	32	7795L32	ROTOR	1
7	7795L07	STEEL BALL	2	33	7795L33	FRONT PLATE	1
8	7795L08	PIN	2	34	7795L34	REAR PLATE	1
9	7795L09	PIN	1	35	7795L35	CYLINDER	1
10	7795L10	PIN	1	36	7795L36	NUT	8
11	7795L11	PIN	2	37	7795L37	HAMMER CASE	1
12	7795L12	PIN	1	38	7795L38	HAMMER	2
13	7795L13	PIN	1	39	7795L39	REGULATOR	1
14	7795L14	SPRING	2	40	7795L40	BUSHING	1
15	7795L15	SPRING	1	41	7795L41	BUSHING	1
16	7795L16	SCREW	1	42	7795L42	BUSHING	1
17	7795L17	SCREW	4	43	7795L43	BUSHING	1
18	7795L18	SCREW	4	44	7795L44	BUSHING	1
19	7795L19	SCREW	8	45	7795L45	WASHER	4
20	7795L20	OIL SEAL	1	46	7795L46	WASHER	4
21	7795L21	OIL SEAL	1	47	7795L47	WASHER	8
22	7795L22	BALL BEARING	1	48	7795L48	ANVIL	1
23	7795L23	BALL BEARING	1	49	7795L49	FRONT CAP	1
24	7795L24	BALL BEARING	1	50	7795L50	MOTOR HOUSING	1
25	7795L25	TRIGGER	1	51	7795L51	SIDE HANDLE	1
26	7795L26	REVERSE VALVE	1	52	7795L52	HANDLE	1

505 N. Railroad Ave. 33435  
P.O. Box 1117 33425  
Boynton Beach, FL

SEE MORE OF OUR CATALOG AT  
[www.taylorpneumatic.com](http://www.taylorpneumatic.com)

Ph. (561)732-1111  
Fax. (561)731-4412  
Toll Free (800) 805-8665