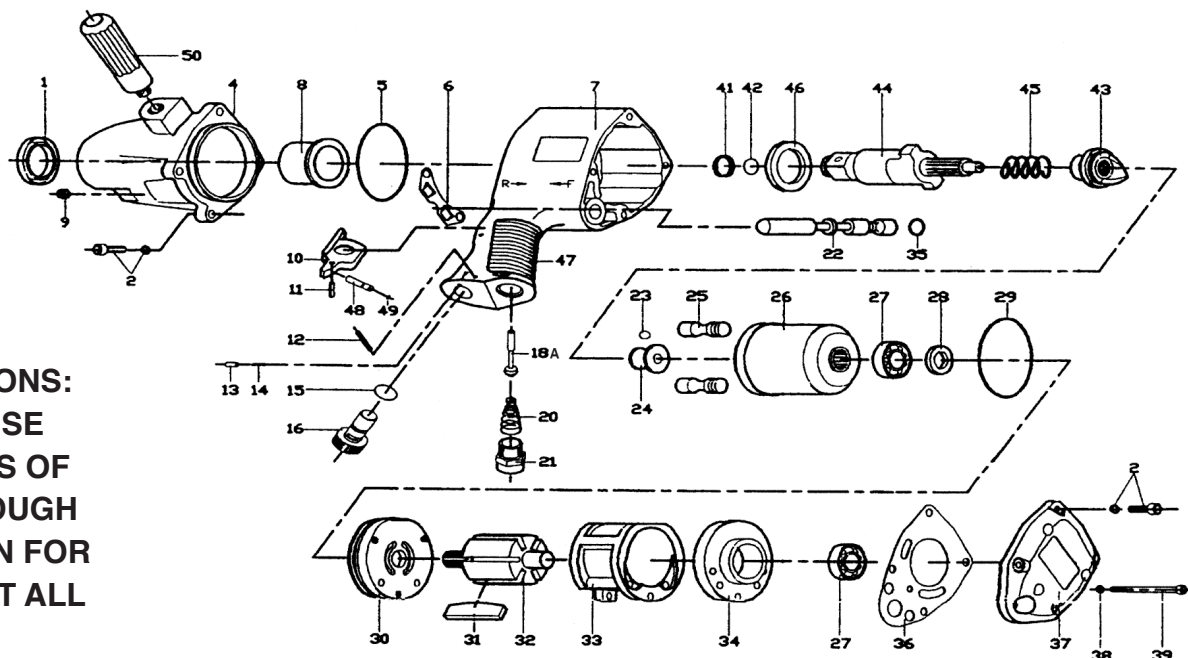


T-7794 1" IMPACT WRENCH



OILING INSTRUCTIONS:
OIL AFTER EACH USE
WITH A FEW DROPS OF
AIRTOOL OIL THROUGH
THE AIR INLET. RUN FOR
1 SECOND TO COAT ALL
INTERNAL PARTS.

USE 90 PSI MAXIMUM

REF #	PART #	DESCRIPTION	QTY
1	779401	OIL SEAL	1
2	779402	SCREW & WASHER	8
4	779404	HAMMER CASE	1
5	779405	O-RING	1
6	779406	EXHAUST DEFLECTOR	1
7	779407	MOTOR HOUSING	1
8	779408	BUSHING	1
9	779409	SET SCREW	1
10	779410	TRIGGER	1
11	779411	SPRING PIN	1
12	779412	SPRING PIN	1
13	779413	PIN	1
14	779414	SPRING	1
15	779415	O-RING	1
16	779416	REGULATOR	1
18A	779418A	VAVLE STEM	1
20	779420	SPRING	1
21	779421	HOSE ADAPTER	1
22	779422	REVERSE VALVE	1
23	779423	BALL	1
24	779424	SPINDLE GUIDE	1
25	779425	HAMMER PIN	2

REF #	PART #	DESCRIPTION	QTY
26	779426	HAMMER CAGE	1
27	779427	BEARING	2
28	779428	OIL SEAL	1
29	779429	O-RING	1
30	779430	FRONT END PLATE	1
31	779431	ROTOR BLADE (6 PER SET)	1set
32	779432	ROTOR	1
33	779433	CYLINDER	1
34	779434	REAR END PLATE	1
35	779435	O-RING	1
36	779436	REAR GASKET	1
37	779437	REAR COVER	1
38	779438	WASHER	3
39	779439	SCREW	3
41	779441	ANVIL COLLAR	1
42	779442	O-RING	1
43	779443	HAMMER CAM	1
44	779444	ANVIL	1
45	779445	SPRING	1
46	779446	WASHER	1
47	779447	RUBBER GRIP	1
48	779448	PUSH PIN	1
49	779449	O-RING	1
50	779450	SIDE HANDLE	1

505 N. Railroad Ave. 33435
P.O. Box 1117 33425
Boynton Beach, FL

SEE MORE OF OUR CATALOG AT
www.taylorpneumatic.com

JUNE 2020 / ALL RIGHTS RESERVED / COPYRIGHT 2020

Ph. (561) 732-1111
Fax. (561) 731-4412
Toll Free (800) 805-8665