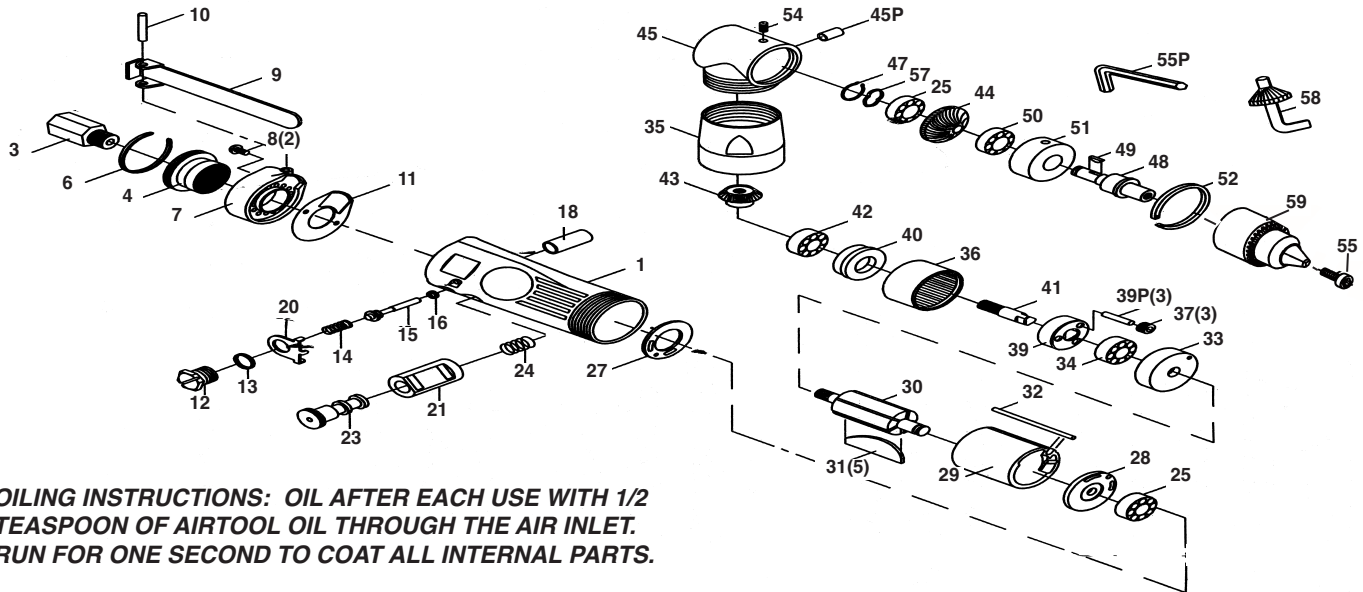


# T-7787RN

## 3/8" Reversible Angle Drill



**OILING INSTRUCTIONS: OIL AFTER EACH USE WITH 1/2 TEASPOON OF AIRTOOL OIL THROUGH THE AIR INLET. RUN FOR ONE SECOND TO COAT ALL INTERNAL PARTS.**

### USE 90 PSI MAXIMUM

Ref #	Part #	Description	Qty.	Ref #	Part #	Description	Qty.
1	7787RN01	Motor Housing	1	33	7787RN33	Front End Plate	1
3	7787RN03	Inlet Bushing	1	34	7787RN34	Bearing	1
4	7787RN04	Deflector	1	35	7787RN35	Lock Ring	1
6	7787RN06	Stop Ring	1	36	7787RN36	Internal Gear	1
7	7787RN07	Housing Cap	1	37	7787RN37	Planet Gear	3
8	7787RN08	Screw	2	39	7787RN39	Cage	1
9	7787RN09	Throttle Lever	1	39P	7787RN39P	Pin	3
10	7787RN10	Pin	1	40	7787RN40	Spacer	1
11	7787RN11	Housing Gasket	1	41	7787RN41	Gear Spindle	1
12	7787RN12	Valve Screw	1	42	7787RN42	Bearing	1
13	7787RN13	O-Ring	1	43	7787RN43	Pinion	1
14	7787RN14	Valve Spring	1	44	7787RN44	Gear	1
15	7787RN15	Throttle Valve	1	45	7787RN45	Angle Housing	1
16	7787RN16	O-Ring	1	45P	7787RN45P	Grease Fitting	1
18	7787RN18	Valve Bushing	1	47	7787RN47	Retaining Ring	1
20	7787RN20	Retainer	1	48	7787RN48	Spindle	1
21	7787RN21	Bushing	1	49	7787RN48	Key	1
23	7787RN23	Reverse Valve	1	50	7787RN50	Bearing	1
24	7787RN24	Reverse Spring	1	51	7787RN51	Bearing Case	1
25	7787RN25	Bearing	2	52	7787RN52	Retaining Ring	1
27	7787RN27	Motor Gasket	1	54	7787RN54	Set Screw	1
28	7787RN28	Rear End Plate	1	55	7787RN55	Screw (goes in from front)	1
29	7787RN29	Cylinder	1	57	7787RN57	Wave Washer	1
30	7787RN30	Rotor	1	58	T-7788-B	Chuck Key	1
31	7787RN31	Rotor Blade (set of 3)	1(set)	59	T-7788-A	3/8" Drill Chuck	1
32	7787RN32	Motor Pin	1		T-7788-C	Chuck and Key	1

505 N. Railroad Ave. 33435  
P.O. Box 1117 33425  
Boynton Beach, Florida

SEE OUR CATALOG  
at  
[www.taylorpneumatic.com](http://www.taylorpneumatic.com)

0116TPTC /all rights reserved /COPYRIGHT 2015 / final

Ph. (561) 732-1111  
Fax (561) 731-4412  
Toll Free 800-805-8665

# Operating Instructions for Drills

## PLEASE READ AND FOLLOW ALL WARNINGS

### GENERAL INFORMATION-

Use of a 3/8" air hose is recommended. Use the fewest number of quick disconnects possible to minimize air pressure drop. Air pressure at the tool should be 90 PSI or less. Using the least amount of pressure possible will allow you to get the maximum life from your tool. Small air compressors with tanks under 20 gallons may not provide enough air to maintain a constant 90 PSI.

Using too much air pressure is like driving your car at 200 MPH. Your car may go that fast, but will the tires, engine and bearings hold up? Excess air pressure can cause premature wear or tool failure. Never drag a tool by the air hose, doing so can bend the rotor shaft causing permanent damage. Always check a drill, if it is dropped, for damage to the bit or a bent rotor shaft. The size of the hole you are drilling dictates the speed of the drill you need to use. Use slower speed drills for steel and higher speed drills for aluminum. To keep dirt and grinding dust out of your tools, store them in plastic ziplock bags after oiling. If you have specific questions call us at 800-805-8665.

1. ALWAYS DISCONNECT THE TOOL FROM AIR SOURCE WHEN CHANGING ACCESSORIES OR SERVICING THE TOOL.
2. CHECK ALL FASTENERS DAILY. BOLTS MUST BE KEPT TIGHT TO MAINTAIN SAFETY AND TOP TOOL OPERATING PERFORMANCE.
3. STAY IN CONTROL OF YOUR DRILL.
4. VIBRATION MAY BE HARMFUL TO YOUR ARMS AND HANDS. WEAR PROTECTION.
5. INSPECT THE TOOL AND AIR SUPPLY AND AIR HOSE ON A REGULAR BASIS.
6. DO NOT MAKE CONTACT WITH ELECTRICAL LINES.
7. LEAVE TRIGGER OFF BEFORE CONNECTING THE TOOL TO THE AIR SUPPLY. AVOID ACCIDENTAL STARTS.
8. WEAR THE PROPER CLOTHING. DO NOT WEAR JEWELRY, LOOSE CLOTHING, OR LONG HAIR AS IT CAN GET CAUGHT IN ROTATING PARTS. KEEP GLOVES AWAY FROM ROTATING PARTS.
9. DO NOT WORK IN HAZARDOUS ATMOSPHERES WHERE SPARKS COULD IGNITE OR DETONATE FUMES.
10. WATCH WHAT YOU ARE DOING. USE COMMON SENSE WHEN OPERATING PNEUMATIC TOOLS. DO NOT USE PNEUMATIC TOOLS WHEN TIRED OR UNDER THE INFLUENCE OF MEDICATION, ALCOHOL OR DRUGS. SERIOUS PERSONAL INJURY MAY RESULT FROM A MOMENTS INATTENTION.
11. USE 90 PSI AT THE TOOL. USE 3/8" HOSE
12. ONLY USE CLEAN DRY COMPRESSED AIR. NEVER USE OXYGEN, CARBON DIOXIDE, COMBUSTIBLE GASES OR ANY OTHER BOTTLED GAS TO POWER THIS TOOL.
13. STORE TOOLS IN A CLEAN DRY ENVIRONMENT.
14. DO NOT USE DAMAGED TOOLS - MARK, AND RETURN DAMAGED TOOLS FOR SERVICE.
15. NEVER FORCE THE TOOL. LET THE TOOL DO THE WORK.
16. STOP USE IMMEDIATELY IF TOOL IS MAKING AN UNUSUAL NOISE OR VIBRATION. HAVE TOOL CHECKED BY PROFESSIONAL TECHNICIAN.
17. KEEP CHILDREN, PETS AND BYSTANDERS AWAY WHILE OPERATING A PNEUMATIC TOOL. DISTRACTIONS CAN CAUSE YOU TO LOSE CONTROL.
18. THESE WARNINGS AND INSTRUCTIONS CAN NOT COVER ALL POSSIBLE CONDITIONS OR SITUATIONS. THE OPERATOR MUST UNDERSTAND THAT COMMON SENSE AND CAUTIONS ARE FACTORS WHICH CAN NOT BE BUILT INTO THE PRODUCT BUT MUST BE SUPPLIED BY THE OPERATOR.

### ADDITIONAL INFORMATION IS AVAILABLE FROM:

**AMERICAN NATIONAL STANDARDS INSTITUTE  
11 WEST 42ND ST.  
NEW YORK, NY 10036**

**REQUEST A COPY OF ANSI B186.1 SAFETY CODE FOR PORTABLE AIR TOOLS.**

### LIMITED LIFETIME WARRANTY

Most products of Taylor Pneumatic are warranted to be free from defects in material and workmanship for the life of the tool. This warranty applies to the original purchaser only. This warranty does not cover tools that have been abused, misused, modified, not properly lubricated or to normal wear and tear. Taylor Pneumatic will at its option repair or replace the defective product free of charge except for shipping. Taylor Pneumatics sole liability and your exclusive remedy under this warranty is limited to the repair or replacement of the defective product. There are no other warranties expressed or implied and Taylor Pneumatic shall not be liable for incidental, consequential, or special damages, expenses or costs except as described above. **WARRANTY VOID IF TOOL IS DISASSEMBLED.** Return tools to **Taylor Pneumatic**. Be sure to include your name, address, proof of purchase and description of the suspected defect.

This warranty applies to the basic tool. It does not apply to wear and tear on accessories or consumables such as drill chucks, backing pads for sanders, punch and dies for nibblers, spray gun cups or accessories from a kit.