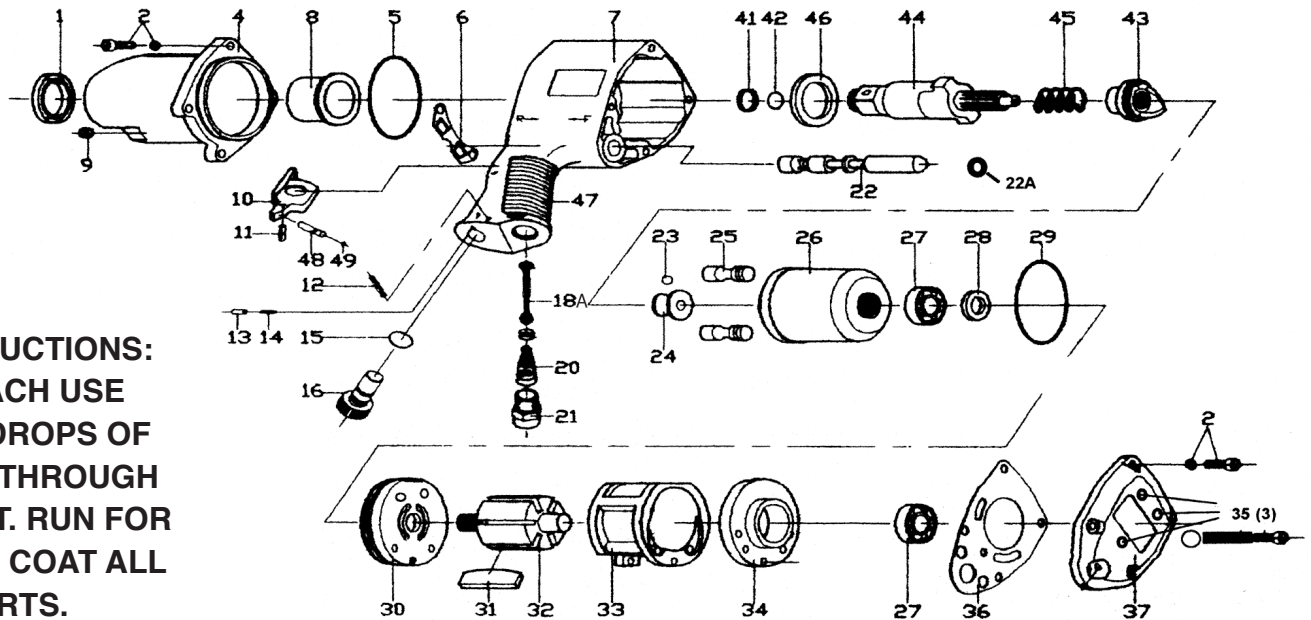


T-7774 HEAVY DUTY 3/4" IMPACT WRENCH

T-7774L WITH EXTENDED ANVIL



OILING INSTRUCTIONS:
OIL AFTER EACH USE
WITH A FEW DROPS OF
AIRTOOL OIL THROUGH
THE AIR INLET. RUN FOR
1 SECOND TO COAT ALL
INTERNAL PARTS.

USE 90 PSI MAXIMUM

REF #	PART #	DESCRIPTION	QTY	REF #	PART #	DESCRIPTION	QTY
1	777401	OIL SEAL	1	25	777425	HAMMER PIN	2
2	777402	SCREW & WASHER	8	26	777426	HAMMER CAGE	1
4	777404	HAMMER CASE	1	27	777427	BEARING	2
5	777405	O-RING	1	28	777428	OIL SEAL	1
6	777406	EXHAUST DEFLECTOR	1	29	777429	O-RING	1
7	777407	MOTOR HOUSING	1	30	777430N	FRONT END PLATE	1
8	777408	BUSHING	1	31	777431	ROTOR BLADE (6 PER SET)	1set
9	777409	SET SCREW	1	32	777432	ROTOR	1
10	777410	TRIGGER	1	33	777433	CYLINDER	1
11	777411	SPRING PIN	1	34	777434	REAR END PLATE	1
12	777412	SPRING PIN	1	35	777435N	BOLT & WASHER	3
13	777413	PIN	1	36	777436	REAR GASKET	1
14	777414	SPRING	1	37	777437N	REAR COVER	1
15	777415	O-RING	1	41	777441	ANVIL COLLAR	1
16	777416	REGULATOR VALVE	1	42	777442	O-RING	1
18A	777418A	VALVE STEM	1	43	777443	HAMMER CAM	1
20	777420	SPRING	1	44	777444	ANVIL	1
21	777421	AIR INLET	1	44	7774L44	6" ANVIL	1
22A	777422A	O-RING	1	45	777445	SPRING	1
22	777422	REVERSE VALVE	1	46	777446	WASHER	1
23	777423	BALL	1	47	777447	RUBBER GRIP	1
24	777424	SPINDLE GUIDE	1	48	777448	PUSH PIN	1
				49	777449	O-RING	1

505 N. Railroad Ave. 33435
P.O. Box 1117 33425
Boynton Beach, FL

SEE MORE OF OUR CATALOG AT
www.taylorpneumatic.com

Ph. (561) 732-1111
Fax. (561) 731-4412
Toll Free (800) 805-8665

JUNE 2020 / ALL RIGHTS RESERVED / COPYRIGHT 2020