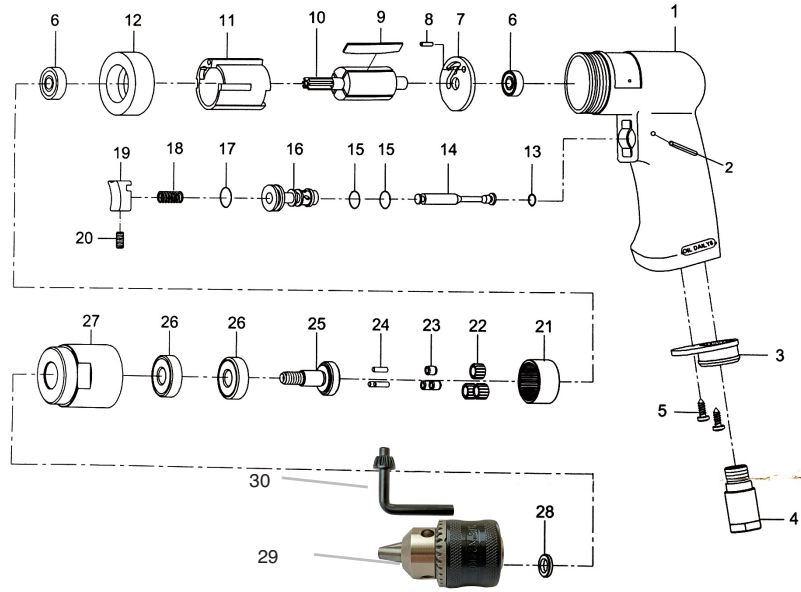


T-7768 3/8" Super Duty Drill 1800 RPM



**OILING
INSTRUCTIONS: OIL
AFTER EACH USE
WITH A FEW DROPS
OF AIRTOOL OIL
THROUGH THE AIR
INLET. RUN
FOR 1 SECOND TO
COAT ALL INTERNAL
PARTS**



USE 90 PSI MAXIMUM

Ref #	Part #	Description	Qty.	Ref #	Part #	Description	Qty.
1A	776801A	Complete Housing	1	19	776819	Trigger	1
2	776802	Pin	1	20	776820	Set Screw	1
3	776803	Exhaust Diffuser	1	21	776821	Ring Gear	1
4	776804	Air Inlet	1	22	776822	Planet Gear	3
5	776805	Screws	2	23	776823	Bushing	3
6	776806	Bearing	2	24	776824	Pin	3
7	776807	Rear End Plate	1	25	776825	Spindle	1
8	776808	Pin	1	26	776826	Bearing	2
9	776809	Rotor Blades (4 per set)	1 set	27	776827	Nut	1
10	776810	Rotor	1	28	776828	Chuck Spacer	1
11	776811	Cylinder	1	29	T-7788-A	Chuck	1
12	776812	Front End Plate	1	30	T-7788-B	Chuck Key	1
13	776813	O-Ring	1				
14	776814	Valve Stem	1				
15	776815	O-Ring	2				
16	776816	Valve Bushing	1				
17	776817	O-Ring	1				
18	776818	Valve Spring	1				

505 N. Railroad Ave. 33435
P.O. Box 1117 33425
Boynton Beach, Florida

FOR WARRANTY INFORMATION &
WARRANTY REGISTRATION VISIT
www.taylorpneumatic.com

Ph. (561) 732-1111
Fax (561) 731-4412
Toll Free 800-805-8665