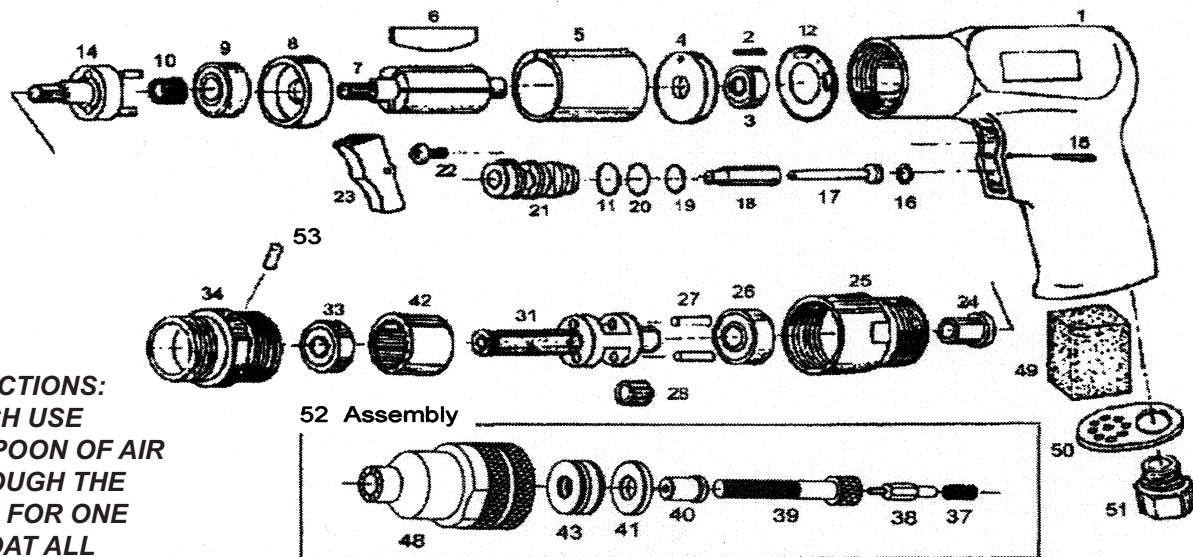


T-7767RNA350 & 600 Pistol Grip Rivnut Tool



OILING INSTRUCTIONS:
OIL AFTER EACH USE
WITH 1/2 TEASPOON OF AIR
TOOL OIL THROUGH THE
AIR INLET. RUN FOR ONE
SECOND TO COAT ALL
INTERNAL PARTS

USE 90 PSI MAXIMUM

Ref #	Part #	Description	Qty.
1	7767RN01	Handle	1
2	7767RN02	Spring Pin	1
3	7767RN03	Bearing	1
4	7767RN04	Rear End Plte	1
5	7767RN05	Cylinder	1
6	7767RN06	Rotor Blade (set of 5)	1set
7	7767RN07	Rotor	1
8	7767RN08	Front End Plte	1
9	7767RN09	Bearing	1
10	7767RN10	Planet Gear	3
11	7767RN11	O-Ring	2
12	7767RN12	Gasket	1
13	7767RN13	Pin	3
14	7767RN14	Gear Carrier	1
14	7767RN14A	Gear Carrier	1
15	7767RN15	Pin	1
16	7767RN16	O-Ring	2
17	7767RN17	Valve Stem	2
18	7767RN18	Bushing	2
19	7767RN19	O-Ring	2
20	7767RN20	O-Ring	2
21	7767RN21	Throttle Bush.	2
22	7767RN22	Screw	1
23	7767RN23	Trigger	1
24	7767RN24	Bushing	1
24	7767RN24A	Bushing	1
25	7767RN25	Housing	1
26	7767RN26	Bearing	1
27	7767RN27	Pin	2
28	7767RN28	Planet Gear	2
28	7767RN28A	Planet Gear	2

Ref #	Part #	Description	Qty.
31	7767RN31	Gear Carrier	1
31	7767RN31A	Gear Carrier	1
33	7767RN33	Bearing	1
34	7767RN34	Screw Hsg	1
37	7767RN37	Spring	1
37	7767RN38A	Hex Bit	1
38	7767RN38B	Hex Bit	1
38	7767RN38C	Hex Bit	1
38	7767RN38D	Hex Bit	1
38	7767RN38E	Hex Bit	1
39	7767RN39A	Bolt M3	1
39	7767RN39B	Bolt M4	1
39	7767RN39C	Bolt M5	1
39	7767RN39D	Bolt M6	1
39	7767RN39E	Bolt M8	1
39	7767RN39F	Bolt 6-32	1
39	7767RN39G	Bolt 8-32	1
39	7767RN39H	Bolt 10-24	1
39	7767RN39I	Bolt 10-32	1
39	7767RN39J	Bolt 1/4-20	1
39	7767RN39K	Bolt 5/16-18	1
40	7767RN40A	Bushing #3	1
40	7767RN40B	Bushing #4	1
40	7767RN40C	Bushing #5	1
40	7767RN40D	Bushing #6	1
41	7767RN41A	Washer #8	1
41	7767RN41B	Washer #3-6	1
42	7767RN42	Internal Gear	1
43	7767RN43	Ndle Bearing	1
48	7767RN48A	Nut Anvil #3	1
48	7767RN48B	Nut Anvil #4	1

Ref #	Part #	Description	Qty.
48	7767RN48C	Nut Anvil #5	1
48	7767RN48D	Nut Anvil #6	1
48	7767RN48E	Nut Anvil #8	1
48	7767RN48F	Nut Anvil #N6	1
48	7767RN48G	Nut Anvil N1/4	1
49	7767RN49	Muffler	1
50	7767RN50	Exhst Diffuser	1
51	7767RN51	Air Inlet	1
52	7767RN52	Head Assmby for any size (#37,38,39,40, 41,43,48)	1
		Specify Head Size from below	
52A	7767RN52A	M3	
52B	7767RN52B	M4	
52C	7767RN52C	M5	
52D	7767RN52D	M6	
52E	7767RN52E	M8	
52F	7767RN52F	6-32	
52G	7767RN52G	8-32	
52H	7767RN52H	10-24	
52I	7767RN52I	10-32	
52J	7767RN52J	1/4-20	
52K	7767RN52K	5/16-18	
53	7767RN53	Pin	1

505 N. Railroad Ave. 33435
P.O. Box 1117 33425
Boynton Beach, Florida

SEE OUR CATALOG
at
www.taylorpneumatic.com

0116TPTC /all rights reserved /COPYRIGHT 2016 / final

Ph. (561) 732-1111
Fax (561) 731-4412
Toll Free 800-805-8665