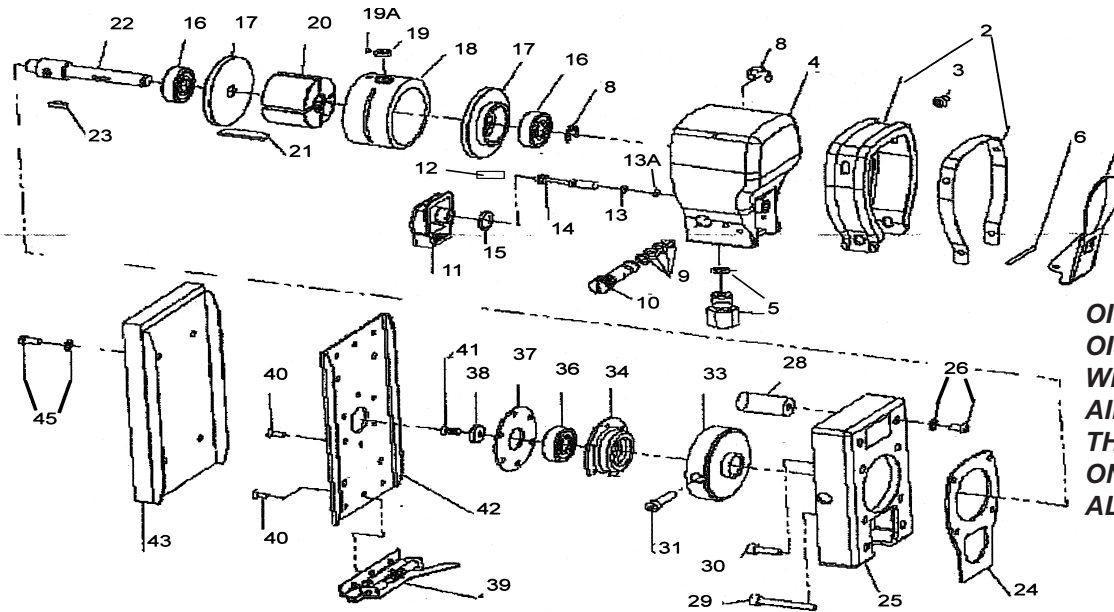


T-7765 Jitterbug Sander



OILING INSTRUCTIONS:
OIL AFTER EACH USE
WITH 1/2 TEASPOON OF
AIRTOOL OIL THROUGH
THE AIR INLET. RUN FOR
ONE SECOND TO COAT
ALL INTERNAL PARTS

USE 90 PSI MAXIMUM

Ref #	Part #	Description	Qty.	Ref #	Part #	Description	Qty.
1	776501	Lever	1	21	776521	Rotor Blade (4 per set)	1set
2	776502	Rubber Grip/Metal Strip	1	22	776522N	Rotor Shaft	1
3	776503	Screw	4	23	776523	Key	1
4	776504	Body	1	24	776524	Gasket	1
5	776505	Inlet and O-Ring	1	25	776525	Base	1
6	776506	Lever Pin	1	26	776526	Screw & Washer	8
8	776508	Retaining Ring	2	28	776528	Rubber Post	4
9	776509	O-Ring	4	29	776529	Cap Screw	2
10	776510	Speed Regulator	1	30	776530	Cap Screw	2
11	776511	Muffler	1	31	776531	Balancer Screw	1
12	776512	Valve Spring	1	33	776533	Crank Shaft	1
13	776513	O-Ring	1	34	776534	Bearing Housing	1
13A	776513A	O-Ring	1	36	776536	Bearing	1
14	776514	Plunger	1	37	776537	Bearing Plate	1
15	776515	O-Ring	1	38	776538N	Washer	1
16	776516	Bearing	2	39	776539	Paper Clamp	2
17	776517	End Plate	2	40	776540	Flat Head Screw	12
18	776518	Cylinder	1	41	776541N	Bearing Stop Screw	1
19	776519	O-Ring	1	42	776542	Shoe Plate	1
19A	776519A	Steel Ball	1	43	776543	Sanding Pad	1
20	776520	Rotor	1	45	776545	Screw & Lock Washer	4

505 N. Railroad Ave. 33435
P.O. Box 1117 33425
Boynton Beach, Florida

FOR WARRANTY INFORMATION &
WARRANTY REGISTRATION VISIT
www.taylorpneumatic.com

0116TPTC /all rights reserved /COPYRIGHT 2016/ final

Ph. (561) 732-1111
Fax (561) 731-4412
Toll Free 800-805-8665