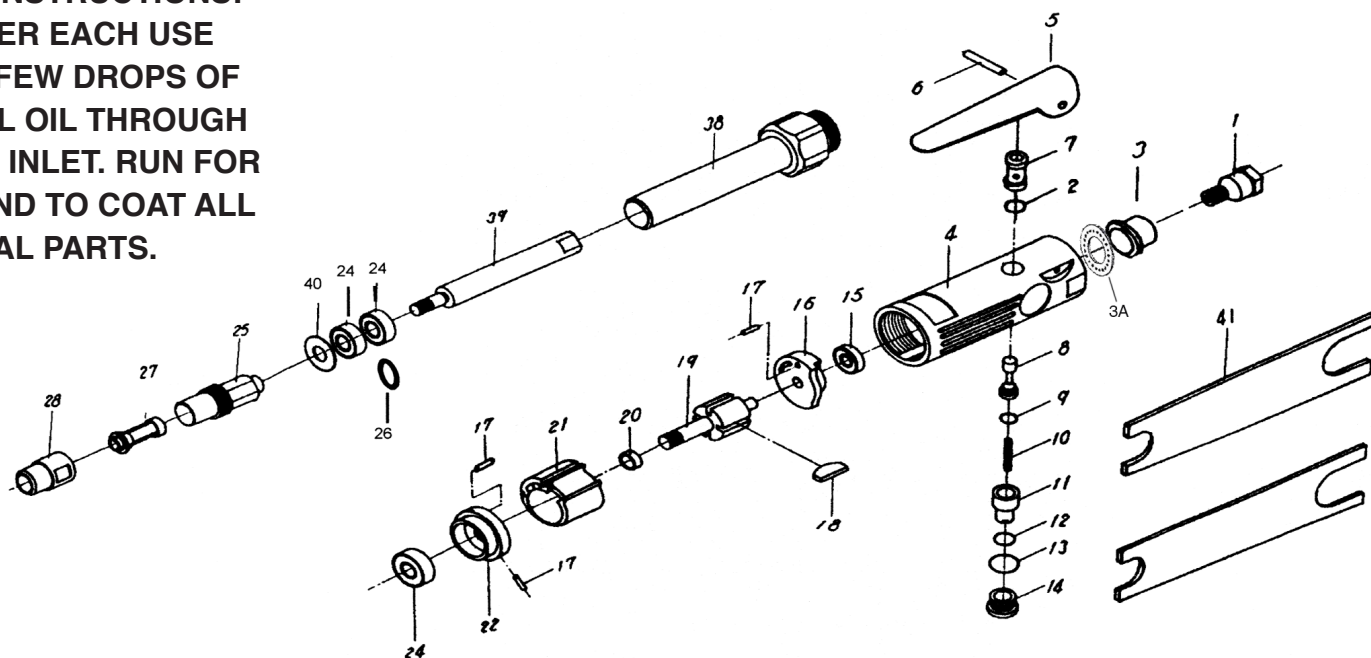


T-7758RE 1/4" EXTENDED DIE GRINDER



**OILING INSTRUCTIONS:
OIL AFTER EACH USE
WITH A FEW DROPS OF
AIRTOOL OIL THROUGH
THE AIR INLET. RUN FOR
1 SECOND TO COAT ALL
INTERNAL PARTS.**



USE 90 PSI MAXIMUM

REF #	PART #	DESCRIPTION	QTY
1	7758RE01	AIR INLET	1
2	7758RE02	O-RING	1
3	7758RE03	EXHAUST SLEEVE	1
3A	7758RE03A	EXHAUST WASHER	1
4	7758RE04	HOUSING	1
5	7758RE05	THROTTLE LEVER	1
6	7758RE06	LEVER PIN	1
7	7758RE07	THROTTLE VALVE	1
8	7758RE08	VALVE STEM	1
9	7758RE09	O-RING	1
10	7758RE10	SPRING	1
11	7758RE11	AIR REGULATOR	1
12	7758RE12	O-RING	2
13	7758RE13	O-RING	1
14	7758RE14	VALVE SCREW	1
15	7758RE15	BEARING	1
16	7758RE16	REAR END PLATE	1
17	7758RE17	PIN	1

REF #	PART #	DESCRIPTION	QTY
18	7758RE18	ROTOR BLADE (SET OF 4)	1set
19	7758RE19	ROTOR	1
20	7758RE20	ROTOR COLLAR	1
21	7758RE21	CYLINDER	1
22	7758RE22	FRONT END PLATE	1
24	7758RE24	BEARING	3
25	7758RE25	COLLET SPINDLE	1
26	7758RE26	SPACER	1
27	T-7504	1/4" COLLET	1
	T-7508	1/8" COLLET (OPTIONAL)	
28	7758RE28	COLLET NUT	1
38	7758RE38	EXT. HOUSING/LOCK NUT	1
39	7758RE39	EXTENSION SHAFT	1
40	7758RE40	WASHER	1
41	7758RE41	DOUBLE ENDED WRENCH	2

505 N. Railroad Ave. 33435
P.O. Box 1117 33425
Boynton Beach, FL

SEE MORE OF OUR CATALOG AT
www.taylorpneumatic.com

JUNE 2020 / ALL RIGHTS RESERVED / COPYRIGHT 2020

Ph. (561) 732-1111
Fax. (561) 731-4412
Toll Free (800) 805-8665