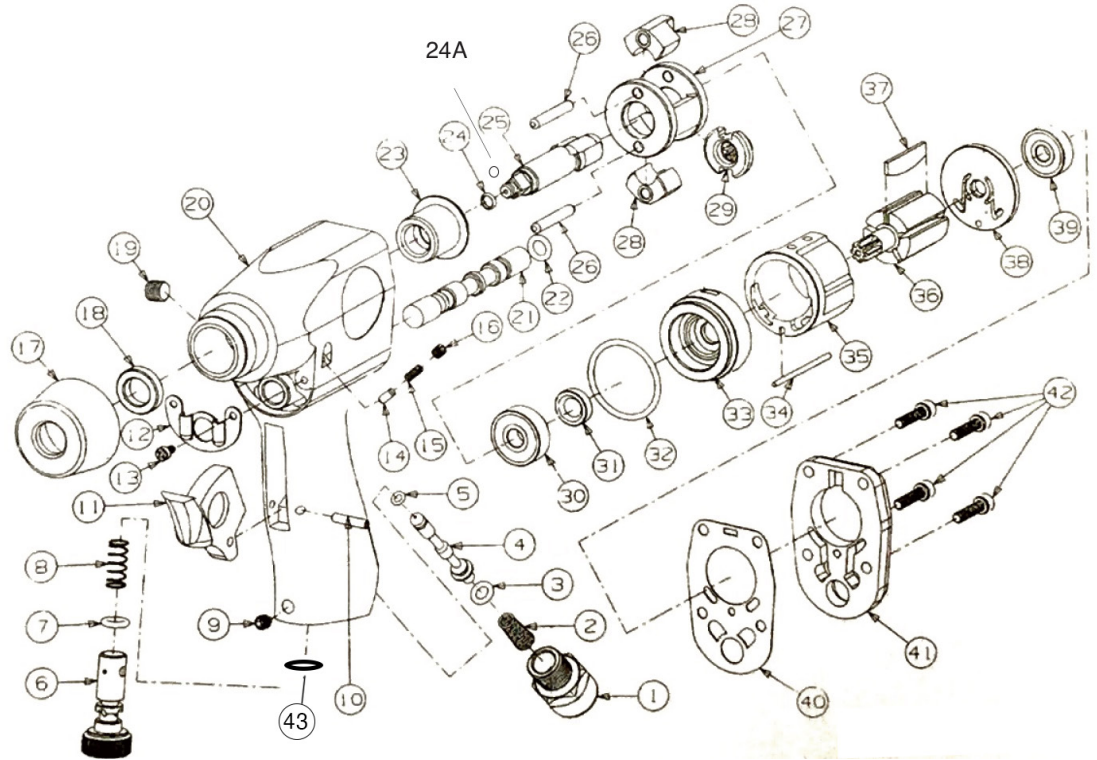


T-7725T

1/4" IMPACT WRENCH



OILING INSTRUCTIONS:
OIL AFTER EACH USE
WITH A FEW DROPS OF
AIRTOOL OIL THROUGH
THE AIR INLET. RUN FOR
1 SECOND TO COAT ALL
INTERNAL PARTS.



USE 90 PSI MAXIMUM

REF #	PART #	DESCRIPTION	QTY	REF #	PART #	DESCRIPTION	QTY
1	7725T01	INLET BUSHING	1	23	7725T23	BUSHING	1
2	7725T02	SPRING	1	24	7725T24	RETAINER RING	1
3	7725T03	O-RING	1	24A	7725T24A	O-RING	1
4	7725T04	VALVE	1	25	7725T25	1/4" ANVIL	1
5	7725T05	O-RING	1	26	7725T26	HAMMER PIN	2
6	7725T06	REGULATOR	1	27	7725T27	HAMMER CAGE	1
7	7725T07	O-RING	1	28	7725T28	HAMMER	2
8	7725T08	SPRING	1	29	7725T29	CAM	1
9	7725T09	SCREW	1	30	7725T30	BEARING	1
10	7725T10	PIN	1	31	7725T31	OIL SEAL	1
11	7725T11	TRIGGER	1	32	7725T32	O-Ring	1
12	7725T12	DEFLECTOR	1	33	7725T33	FRONT END PLATE	1
13	7725T13	SCREW	2	34	7725T34	PIN	1
14	7725T14	REVERSE VALVE PIN	1	35	7725T35	CYLINDER	1
15	7725T15	SPRING	1	36	7725T36	ROTOR	1
16	7725T16	SCREW	1	37	7725T37	ROTOR BLADE (SET OF 5)	1set
17	7725T17	RUBBER GUARD	1	38	7725T38	REAR END PLATE	1
18	7725T18	OIL SEAL	1	39	7725T39	BEARING	1
19	7725T19	OIL PLUG	1	40	7725T40	GASKET	1
20	7725T20	MOTOR HOUSING	1	41	7725T41	BACK CAP	1
21	7725T21	REVERSE VALVE	1	42	7725T42	SCREW	4
22	7725T22	O-RING	1	43	7725T43	VALVE SEAT	1

505 N. Railroad Ave. 33435
P.O. Box 1117 33425
Boynton Beach, FL

SEE MORE OF OUR CATALOG AT
www.taylorpneumatic.com

Ph. (561) 732-1111
Fax. (561) 731-4412
Toll Free (800) 805-8665