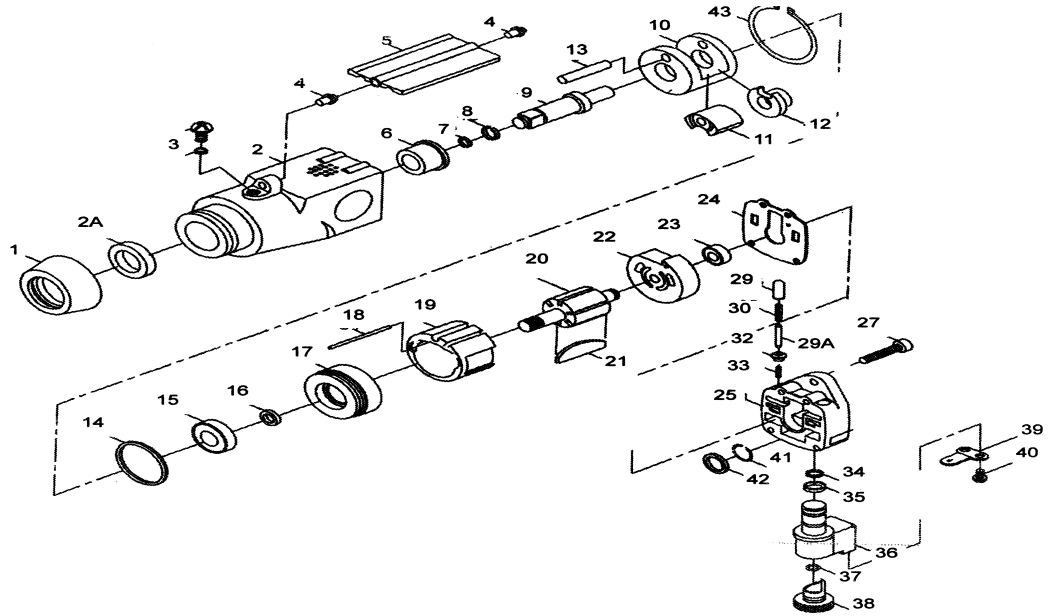


T-7720N 3/8" Butterfly Impact Wrench



**OILING
INSTRUCTIONS: OIL
AFTER EACH USE
WITH A FEW DROPS
OF AIRTOOL OIL
THROUGH THE AIR
INLET. RUN
FOR 1 SECOND TO
COAT ALL INTERNAL
PARTS**



USE 90 PSI MAXIMUM

| Ref # | Part # | Description | Qty. | Ref # | Part # | Description | Qty. |
|-------|-----------|----------------------|------|-------|----------|-------------------------|-------|
| 1 | 772001N | Rubber Nose Guard | 1 | 21 | 772021N | Rotor Blades (set of 6) | 1 set |
| 2 | 772002N3 | Motor Housing | 1 | 22 | 772022N3 | Rear End Plate | 1 |
| 2A | 772002AN3 | Oil Seal | 1 | 23 | 772023N3 | Bearing | 1 |
| 3 | 772003N3 | Oiler Screw & O-Ring | 1 | 24 | 772024N | Back Cap Gasket | 1 |
| 4 | 772004N | Throttle Pin | 2 | 25 | 772025N | Back Cap | 1 |
| 5 | 772005N | Throttle Lever | 1 | 27 | 772027N3 | Cap Screw | 4 |
| 6 | 772006N | Anvil Bushing | 1 | 29 | 772029N | Plunger | 2 |
| 7 | 772007N | O-Ring | 1 | 29A | 772029AN | Valve | 2 |
| 8 | 772008N | Retainer Ring | 1 | 30 | 772030N | Spring | 2 |
| 9 | 772009N3 | Anvil | 1 | 32 | 772032N | Valve Seat | 2 |
| 10 | 772010N | Hammer Cage | 1 | 33 | 772033N | Valve Spring | 2 |
| 11 | 772011N | Hammer | 1 | 34 | 772034N | O-Ring | 2 |
| 12 | 772012N | Cam | 1 | 35 | 772035N | O-Ring | 1 |
| 13 | 772013N | Hammer Pin | 1 | 36 | 772036N | Air Inlet Block | 1 |
| 14 | 772014N3 | O-Ring | 1 | 37 | 772037N | O-Ring | 1 |
| 15 | 772015N3 | Bearing | 1 | 38 | 772038N | Regulator | 1 |
| 16 | 772016N3 | Oil Seal | 1 | 39 | 772039N | Retainer Plate | 1 |
| 17 | 772017N3 | Front End Plate | 1 | 40 | 772040N | Screw | 2 |
| 18 | 772018N | Motor Pin | 1 | 41 | 772041N | Retaining Ring | 1 |
| 19 | 772019N3 | Cylinder | 1 | 42 | 772042N | Fixing Ring | 1 |
| 20 | 772020N | Rotor | 1 | 43 | 772043N3 | Snap Ring | 1 |

505 N. Railroad Ave. 33435
P.O. Box 1117 33425
Boynton Beach, Florida

FOR WARRANTY INFORMATION &
WARRANTY REGISTRATION VISIT
www.taylorpneumatic.com

Ph. (561) 732-1111
Fax (561) 731-4412
Toll Free 800-805-8665