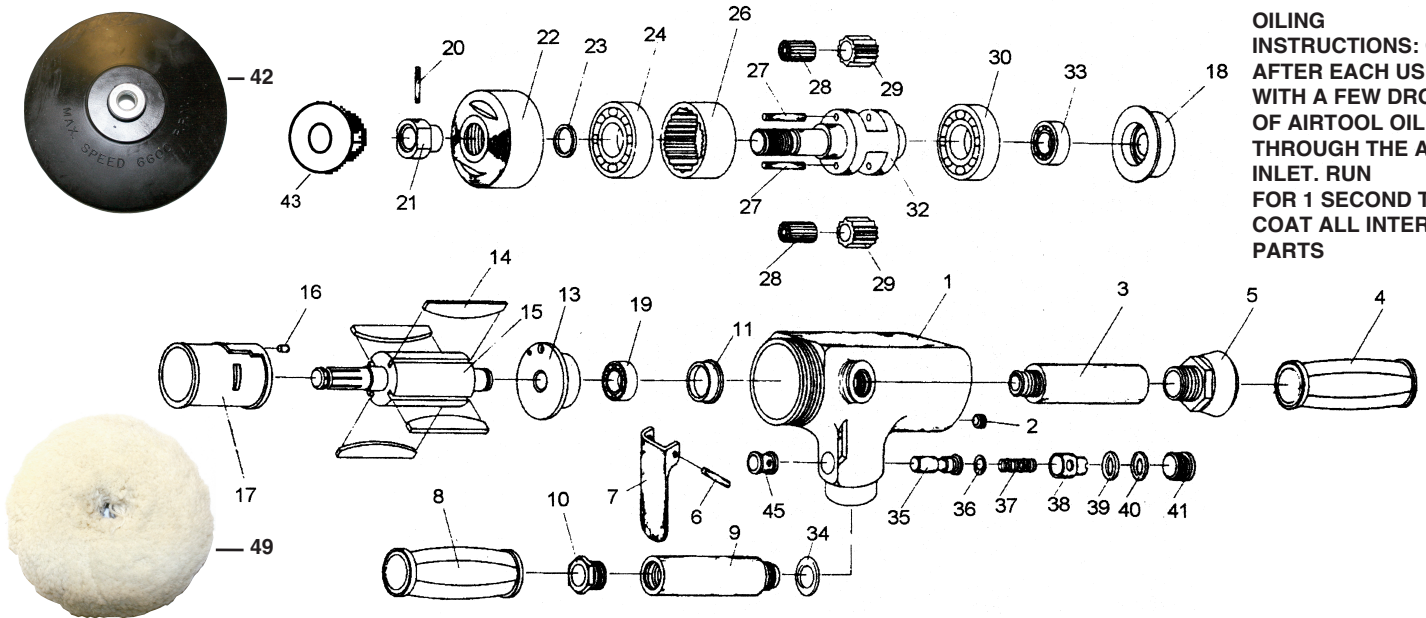


T-7718P

7" Vertical Sander

2000 RPM



OILING INSTRUCTIONS: OIL AFTER EACH USE WITH A FEW DROPS OF AIRTOOL OIL THROUGH THE AIR INLET. RUN FOR 1 SECOND TO COAT ALL INTERNAL PARTS

USE 90 PSI MAXIMUM

Ref #	Part #	Description	Qty.	Ref #	Part #	Description	Qty.
1	7718P01	Motor Housing	1	24	7718P24	Bearing	1
2	7718P02	Set Screw	1	26	7718P26	Internal Gear	1
3	7718P03	Exhaust Handle	1	27	7718P27	Gear Pin	2
4	7718P04	Handle Grip	1	28	7718P28	Needle Roller	22
5	7718P05	Exhaust Deflector	1	29	7718P29	Planet Gear	2
6	7718P06	Spring Pin	1	30	7718P30	Bearing	1
7	7718P07	Throttle Lever	1	32	7718P32	Planet Cage	1
8	7718P08	Handle Grip	1	33	7718P33	Bearing	1
9	7718P09	Inlet Handle	1	34	7718P34	O-Ring	1
10	7718P10	Inlet Bushing	1	35	7718P35	Valve Stem	1
11	7718P11	Bearing Cap	1	36	7718P36	O-Ring	1
13	7718P13	Rear End Plate	1	37	7718P37	Valve Spring	1
14	7718P14	Rotor Blades (4 per set)	1 set	38	7718P38	Air Regulator	1
15	7718P15	Rotor	1	39	7718P39	O-Ring	1
16	7718P16	Spring Pin	1	40	7718P40	O-Ring	1
17	7718P17	Cylinder	1	41	7718P41	Valve Screw	1
18	7718P18	Front End Plate	1	42	T-7470A	Pad	1
19	7718P19	Bearing	1	43	7718P43	Pad Nut	1
20	7718P20	Spring Pin	1	45	7718P45	Bushing	1
21	7718P21	Collar	1	47	7718P47	Wrench (not shown)	1
22	7718P22	Clamp Nut	1	48	7718P48	Spanner Wrench (not shown)	1
23	7718P23	Oil Seal	1	49	T-7472	Polishing Pad	1

505 N. Railroad Ave. 33435
P.O. Box 1117 33425
Boynton Beach, Florida

FOR WARRANTY INFORMATION &
WARRANTY REGISTRATION VISIT
www.taylorpneumatic.com

Ph. (561) 732-1111
Fax (561) 731-4412
Toll Free 800-805-8665