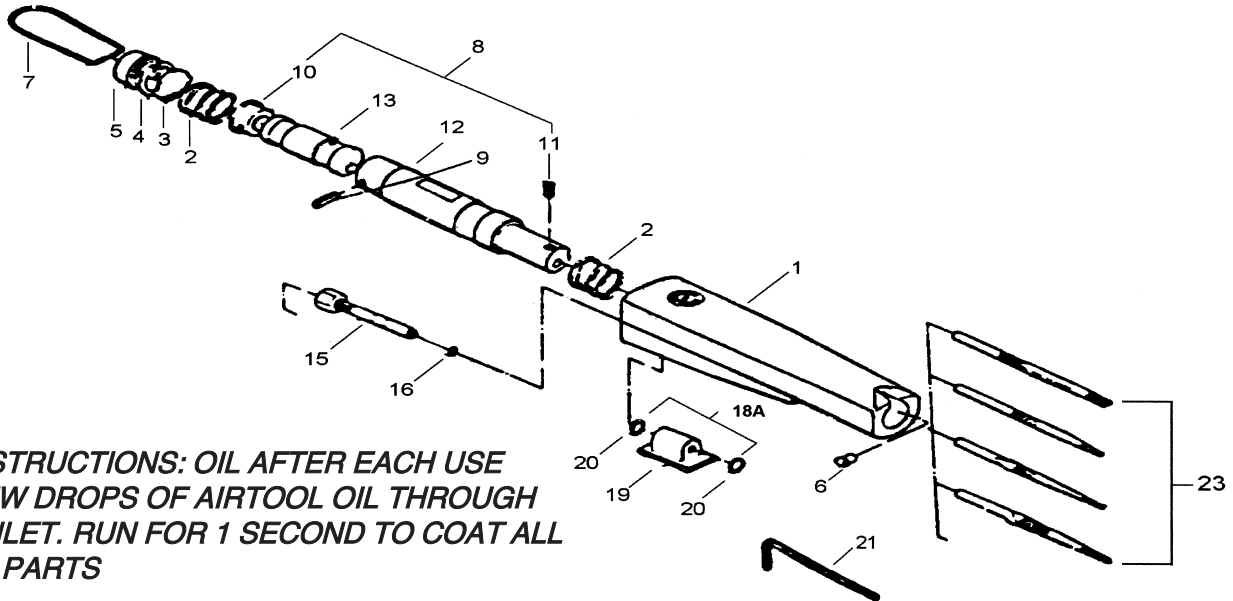


T-7705 Heavy Duty File



OILING INSTRUCTIONS: OIL AFTER EACH USE WITH A FEW DROPS OF AIRTOOL OIL THROUGH THE AIR INLET. RUN FOR 1 SECOND TO COAT ALL INTERNAL PARTS

USE 90 PSI MAXIMUM

Ref #	Part #	Description	Qty.	Ref #	Part #	Description	Qty.
1	770501A	Housing	1	13	770513	Piston	1
2	770502	Spring	2	15	770515	Valve Nipple	1
3	770503	Filter	1	16	770516	O-Ring	1
4	770504	Retaining Ring	1	18	770518A	Valve Assembly(#19, 2- #20)	1 set
5	770505	Cap	1	19	770519	Valve	1
6	770506	Guide Key	1	20	770520	O-Ring	2
7	770507	Hanger	1	21	770521	Hexagon Wrench (3mm)	1
8	770508	Cylinder Assembly	1 set				
9	770509	Spring Pin	1	23	T-770501	Set of 4 files	
10	770510	Plug	1			Rat Tail	1
11	770511	Screw	1			Triangular	1
12	770512	Cylinder	1			Half Round	1
						Flat	1

505 N. Railroad Ave. 33435
P.O. Box 1117 33425
Boynton Beach, Florida

FOR WARRANTY INFORMATION &
WARRANTY REGISTRATION VISIT
www.taylorpneumatic.com

Ph. (561) 732-1111
Fax (561) 731-4412
Toll Free 800-805-8665