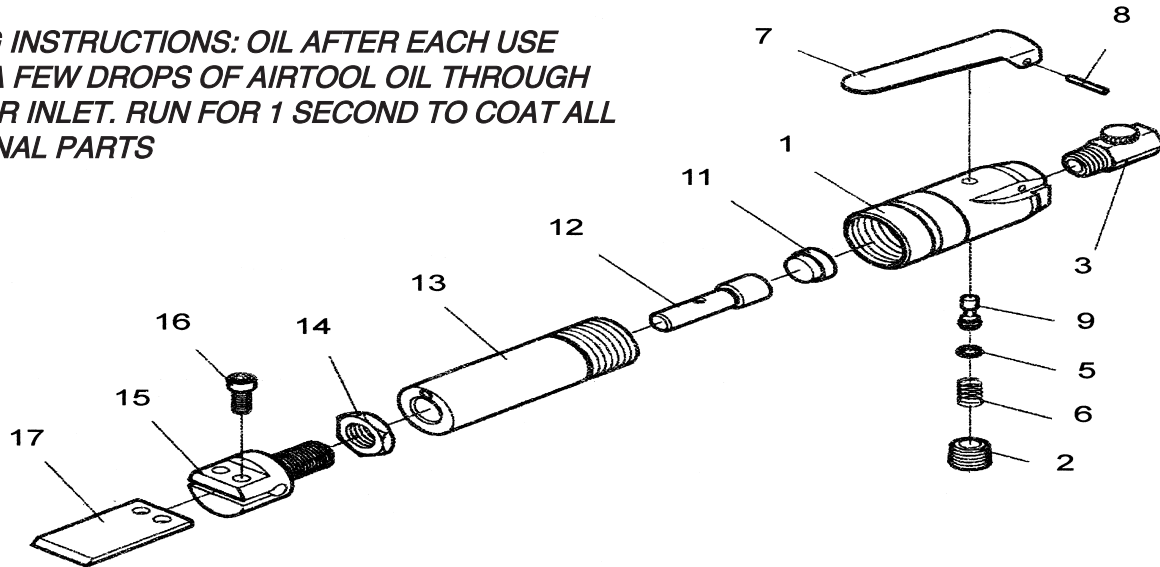


# T-7703 Gasket Scraper



**OILING INSTRUCTIONS: OIL AFTER EACH USE WITH A FEW DROPS OF AIRTOOL OIL THROUGH THE AIR INLET. RUN FOR 1 SECOND TO COAT ALL INTERNAL PARTS**



**USE 90 PSI MAXIMUM**

Ref #	Part #	Description	Qty.	Ref #	Part #	Description	Qty.
1	770301	Handle	1	11	770311	Upper Valve	1
2	770302	Plug Screw	1	12	770312	Piston	1
3	770303	Regulator	1	13	770313	Cylinder	1
5	770305	O-Ring	1	14	770314	Lock Nut	1
6	770306	Spring	1	15	770315	Blade Holder	1
7	770307	Lever	1	16	770316	Blade Lock Screw	2
8	770308	Roll Pin	1	17	770317	Gasket Scraper Blade	1
9	770309	Trigger Stem	1	18	770318	Allen Wrench 4mm (not shown)	1

505 N. Railroad Ave. 33435  
P.O. Box 1117 33425  
Boynton Beach, Florida

FOR WARRANTY INFORMATION &  
WARRANTY REGISTRATION VISIT  
[www.taylorpneumatic.com](http://www.taylorpneumatic.com)

Ph. (561) 732-1111  
Fax (561) 731-4412  
Toll Free 800-805-8665