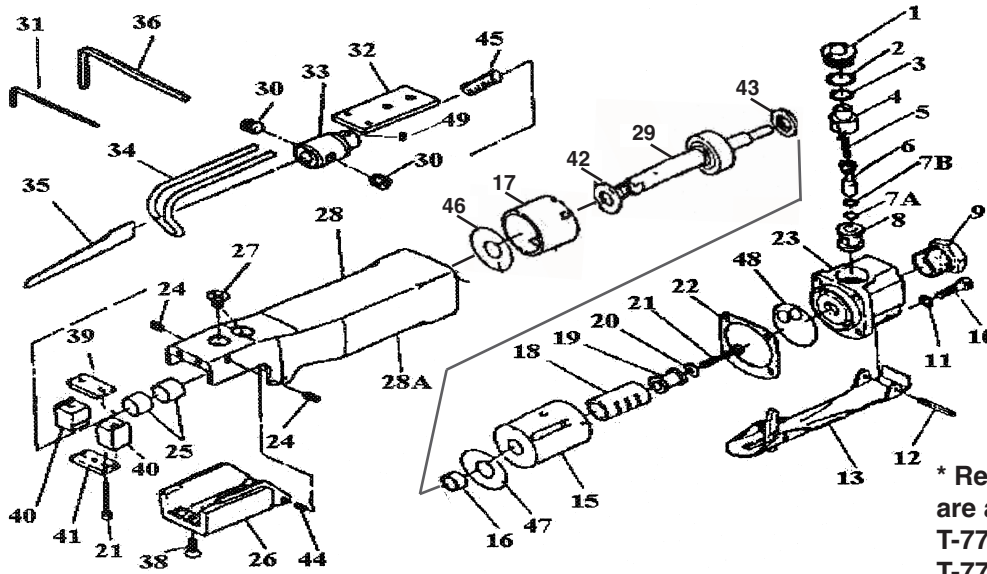


T-7702 Mini Saw



OILING INSTRUCTIONS:
 OIL AFTER EACH USE
 WITH A FEW DROPS OF
 AIRTOOL OIL THROUGH
 THE AIR INLET. RUN
 FOR 1 SECOND TO
 COAT ALL INTERNAL
 PARTS

* Replacement blades
 are available (10 Pack)
 T-770218 (18 TPI)
 T-770224 (24 TPI)
 T-770232 (32 TPI)

USE 90 PSI MAXIMUM

Ref #	Part #	Description	Qty.	Ref #	Part #	Description	Qty.
1	770201	Valve Screw	1	28	770228	Housing	1
2	770202	O-Ring	1	28A	770228A	Plastic Cover	1
3	770203	O-Ring	1	29	770229	Piston Assembly	1
4	770204	Air Regulator	1	30	770230	Set Screw	2
5	770205	Valve Spring	1	31	770231	Wrench	1
6	770206	Valve Stem	1	32	770232	Guide Plate	1
7A	770207A	O-Ring	1	33	770233	Blade Chuck	1
7B	770207B	O-Ring	1	34A	770234A	Work Guide - long	1
8	770208	Valve Bushing	1	34B	770234B	Work Guide - short	1
9	770209	Inlet Bushing	1	35	T-770232	Blade (32TPI)	1
10	770210	Cap Screw	4		T-770224	Blade (24TPI)	1
11	770211	Washer	4		T-770218	Blade (18TPI) (optional)	0
12	770212	Lever Pin	1	36	770236	Wrench	1
13	770213	Throttle Lever	1	38	770238	Screw	1
15	770215	Valve Case	1	38A	770238A	Retaining Ring	1
16	770216	Bushing	1	39	770239	Upper Wear Shoe	1
17	770217	Cylinder	1	40	770240	Blade Guide	2
18	770218	Valve Sleeve	1	41	770241	Bridge	1
19	770219	Actuating Valve	1	42	770242	Front Bumper	1
20	770220	Washer	1	43	770243	Rear Bumper	1
21	770221	Cap Screw	3	44	770244	Pin	2
22	770222	Gasket	1	45	770245	Spring	1
23	770223	Valve Block	1	46	770246	Packing	1
24	770224	Set Screw	2	47	770247	Packing	1
25	770225	Bushing	2	48	770248	Packing	1
26	770226	Chuck Cover	1	49	770249	Set Screw	1
27	770227	Screw	2				

505 N. Railroad Ave. 33435
 P.O. Box 1117 33425
 Boynton Beach, Florida

FOR WARRANTY INFORMATION &
 WARRANTY REGISTRATION VISIT
www.taylorpneumatic.com

Ph. (561) 732-1111
 Fax (561) 731-4412
 Toll Free 800-805-8665