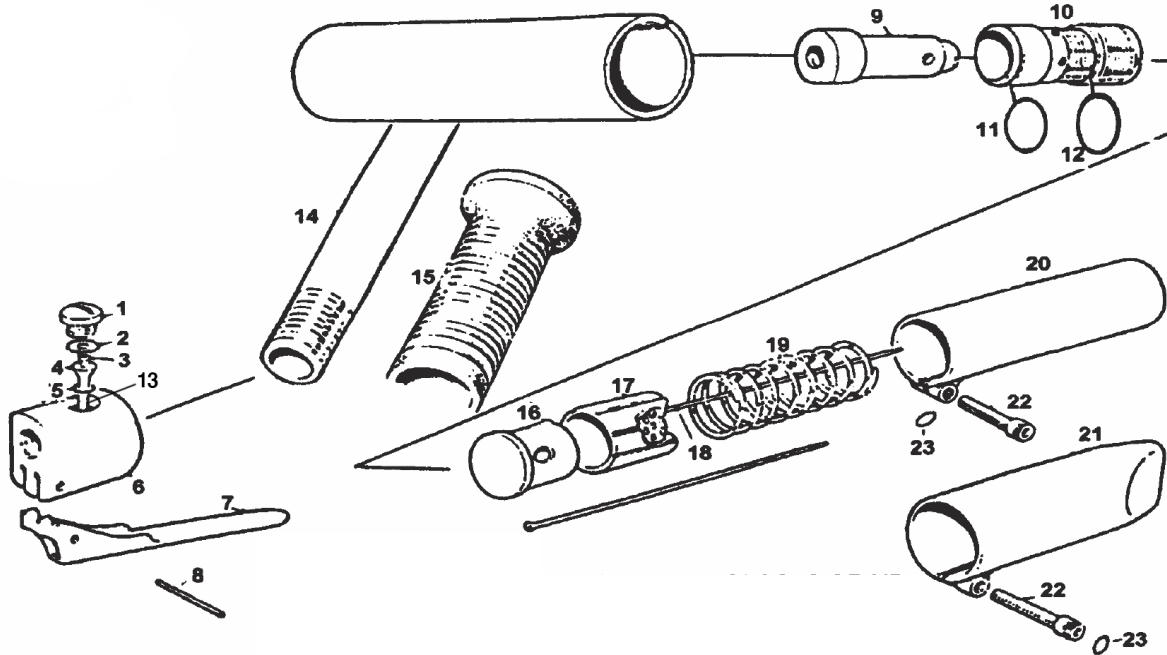


# T-7601 PISTOL GRIP NEEDLE SCALER



## OILING INSTRUCTIONS:

**OIL AFTER EACH USE WITH A FEW DROPS OF AIRTOOL OIL THROUGH THE AIR INLET. RUN FOR 1 SECOND TO COAT ALL INTERNAL PARTS**

### USE 90 PSI MAXIMUM

| REF # | PART # | DESCRIPTION    | QTY | REF # | PART #   | DESCRIPTION             | QTY  |
|-------|--------|----------------|-----|-------|----------|-------------------------|------|
| 1     | 760101 | VALVE CAP      | 1   | 13    | 760113   | O-RING                  | 1    |
| 2     | 760102 | O-RING         | 1   | 14    | 760114   | HANDLE                  | 1    |
| 3     | 760103 | VALVE SPRING   | 1   | 15    | 760115   | HANDLE GRIP             | 1    |
| 4     | 760104 | VALVE STEM     | 1   | 16    | 760116   | ANVIL                   | 1    |
| 5     | 760105 | O-RING         | 1   | 17    | 760117   | NEEDLE HOLDER           | 1    |
| 6     | 760106 | VALVE BODY     | 1   | 18    | T-735646 | NEEDLE SET (19 PER SET) | 1set |
| 7     | 760107 | THROTTLE LEVER | 1   | 19    | 760119   | SPRING                  | 1    |
| 8     | 760108 | ROLL PIN       | 1   | 20    | 760120   | TUBE                    | 1    |
| 9     | 760109 | PISTON         | 1   | 21    | 760121   | FRONT TUBE              | 1    |
| 10    | 760110 | CYLINDER       | 1   | 22    | 760122   | HEX BOLT                | 2    |
| 11    | 760111 | O-RING         | 1   | 23    | 760123   | WASHER                  | 2    |
| 12    | 760112 | O-RING         | 1   |       |          |                         |      |