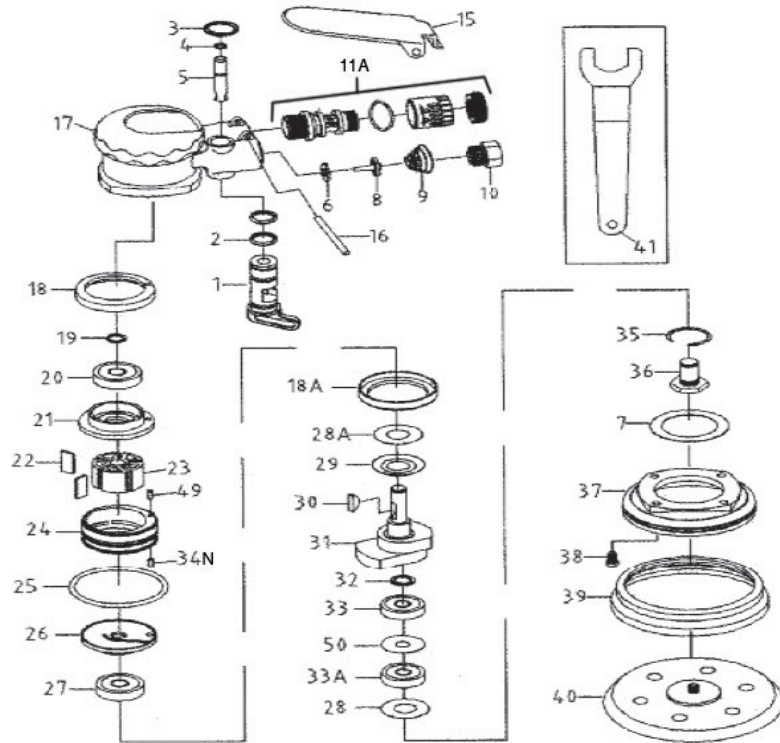


T-7555 & T-7556 (3/16" ORBIT)
T-7555B & T-7556B (3/32" ORBIT)
5" & 6" PALM GRIP SANDER



OILING INSTRUCTIONS:
OIL AFTER EACH USE
WITH A FEW DROPS OF
AIRTOOL OIL THROUGH
THE AIR INLET. RUN FOR
1 SECOND TO COAT ALL
INTERNAL PARTS.



USE 90 PSI MAXIMUM

REF #	PART #	DESCRIPTION	QTY	REF #	PART #	DESCRIPTION	QTY
1	755501	REGULATOR	1	26	755526	FRONT END PLATE	1
2	755502	O-RING	2	27	755527	BEARING	1
3	755503	SNAP RING	1	28	755528	WASHER	1
4	755504	O-RING	1	29	755529	WASHER	1
5	755505	VALVE STEM	1	30	755530	ROTOR KEY	1
6	755506	WASHER	1	31	755531	MOTOR SHAFT BALANCER	1
7	755507	VALVE	1	31	7555B31	MOTOR SHAFT BALANCER	1
8	755508	SPRING	1	31	755631	MSB 3/16 FOR 7556	1
9	755509	SPRING	1	31	7556B31	MSB 3/32 FOR 7556B	1
10	755510	AIR INLET	1	32	755532	SNAP RING	1
11A	755511A	MUFFLER ASSEMBLY includes Part #'s 11, 12(2), 13, 14)	1set	33	755533	BEARING	2
15	755515	LEVER	1	34N	755534N	ROLL PIN	1
16	755516	PIN	1	35	755535	SNAP RING	1
17	755517	HOUSING	1	36	755536	SHAFT	1
18	755518	RUBBER BUSHING	1	37	755537	HOUSING COVER	1
19	755519	SNAP RING	1	38	755538	SCREW	4
20	755520	BEARING	1	39	755539	SHROUD	1
21	755521	REAR END PLATE	1	40	755545	PAD 5"	1
22	755522	ROTOR BLADE (5 PER SET)	1set	40	755546	PAD 6"	1
23	755523	ROTOR	1	41	755541	WRENCH	1
24	755524	CYLINDER	1	49	755549	ROLL PIN	1
25	755525	O-RING	1				