

T-7401 PENCIL GRINDER

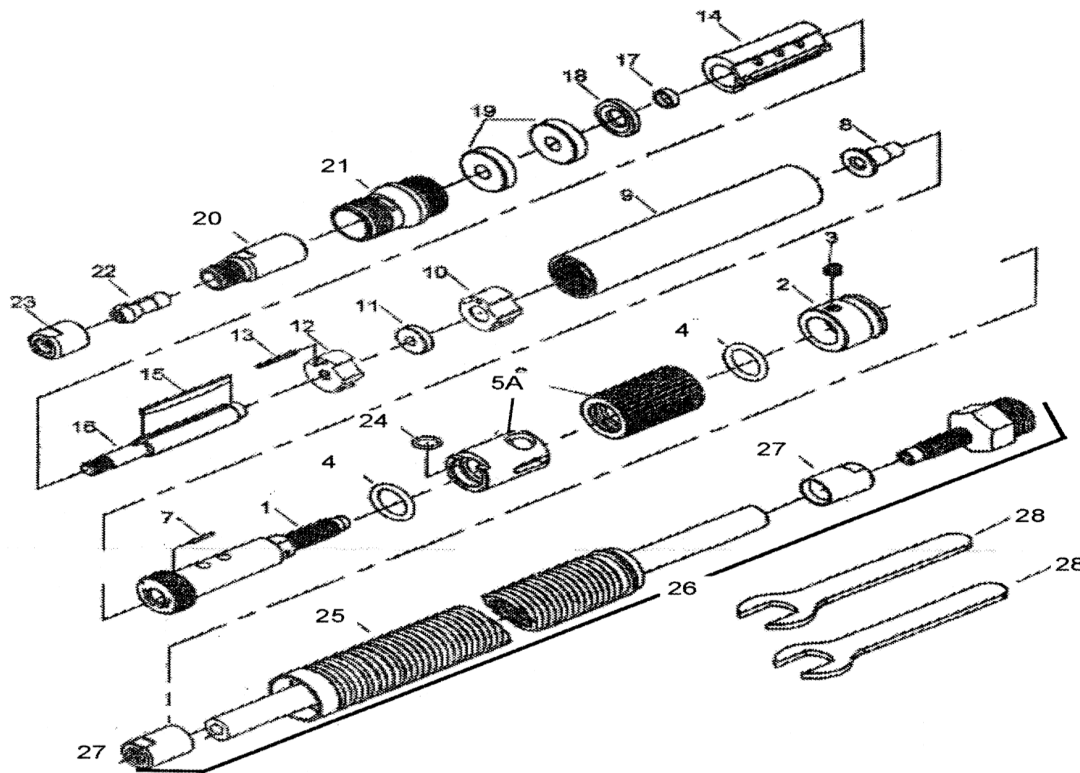
(54,000 RPM)

T-7402 PENCIL GRINDER

(70,000 RPM)



OILING INSTRUCTIONS:
OIL AFTER EACH USE
WITH A FEW DROPS OF
AIRTOOL OIL THROUGH
THE AIR INLET. RUN FOR
1 SECOND TO COAT ALL
INTERNAL PARTS.



USE 90 PSI MAXIMUM

REF #	PART #	DESCRIPTION	QTY	REF #	PART #	DESCRIPTION	QTY
1	740101	HOSE PLUG	1	15	740115	VANES (3 PER SET)	1set
2	740102	REAR END HOLDER	1	16	740116	ROTOR	1
	740202	REAR END HOLDER	1	17	740117	LATERAL DISC	1
3	740103	SCREW	1	18	740118	SPACER	1
4	740104	O-RING	2	19	740119	BEARING	2
5A	740105A	TWIST KNOB/REGULATOR	1	20	740120	COLLET FOUNDATION	1
7	740107	PIN	1	21	740121	FRONT COVER	1
8	740108	INTAKE STEEL TUBE	1	22	740122	1/8" COLLET	1
9	740109	SLEEVE	1		740122B	3MM COLLET (OPTIONAL)	
	740209	SLEEVE	1		740122C	3/32" COLLET (OPTIONAL)	
10	740110	INTAKE PLATE	1	23	740123	COLLET NUT	1
11	740111	BEARIG	1	24	740124	O-RING	1
12	740112	BEARING PLATE	1	25	740125	OVERHOSE	1
13	740113	PIN	1	26	740126	HOSE ASSEMBLY	1
14	740114	CYLINDER	1	27	740127	CLAMP NUT	2
	740214	CYLINDER	1	28	740128	WRENCHES	2

505 N. Railroad Ave. 33435
 P.O. Box 1117 33425
 Boynton Beach, FL

SEE MORE OF OUR CATALOG AT
www.taylorpneumatic.com

OCTOBER 2020 / ALL RIGHTS RESERVED / COPYRIGHT 2020

Ph. (561)732-1111
 Fax. (561)731-4412
 Toll Free (800) 805-8665