

# T-7356 NEEDLE SCALER

## T-7356A WELD FLUX SCALER

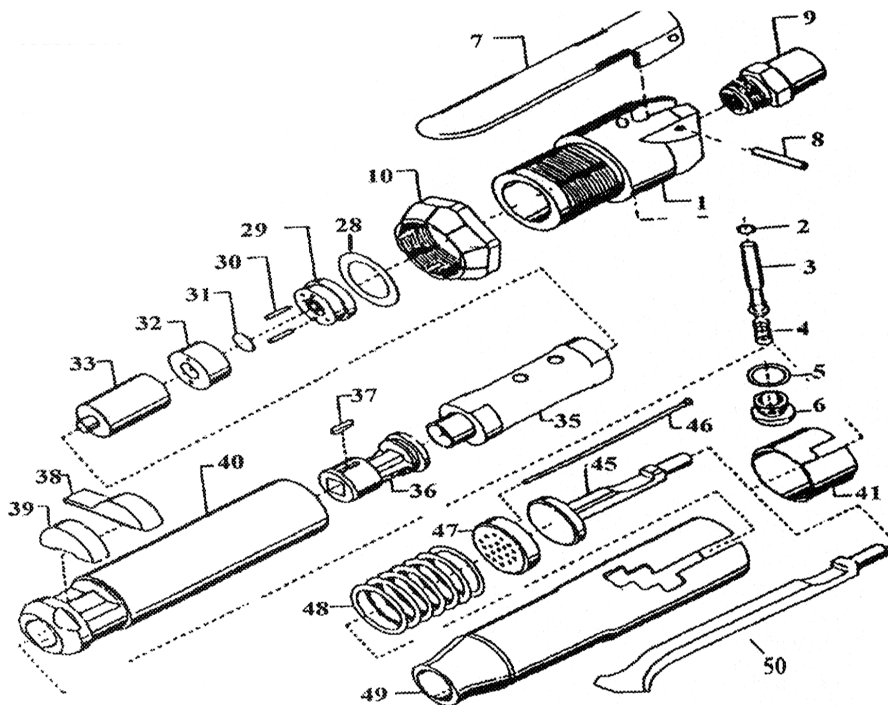
### T-7356SL NEEDLE SCALER W/ SAFETY LEVER



**OILING INSTRUCTIONS:**  
**OIL AFTER EACH USE**  
**WITH A FEW DROPS OF**  
**AIRTOOL OIL THROUGH**  
**THE AIR INLET. RUN FOR**  
**1 SECOND TO COAT ALL**  
**INTERNAL PARTS.**

**RECOMMENDED:**  
**MINI TUNE UP KIT PARTS**  
**2,3,4,5,6,38,46,47,48**

**MAXI KIT ADD TO THE**  
**ABOVE- 7,9,28(2PCS),29,**  
**30(2PCS),31,32,33,45**



**\*USING PRESSURE GREATER THAN 90 PSI MAY CAUSE**  
**HEAVY WEAR AND WILL VOID THE WARRANTY**

**USE 90 PSI MAXIMUM**

REF #	PART #	DESCRIPTION	QTY	REF #	PART #	DESCRIPTION	QTY
1	735601	BACKHEAD	1	39	735639	RETAINER BUFFER	1
2	735602	O-RING	1	40	735640	BARREL	1
3	735603	THROTTLE VALVE	1	41	735641	RETAINER CLIP	1
4	735604	SPRING	1	45	735645	NEEDLE DRIVER	1
5	735605	O-RING	1	46	735646	NEEDLE (19 PER SET)	1set
6	735606	VALVE CAP	1	47	735647	NEEDLE HOLDER	1
7	735607	LEVER	1	48	735648	SPRING	1
7	735607SL	SAFETY LEVER	1	49	735649	NEEDLE TUB	1
8	735608	PIN	1	50	T-7356A8	1-1/4" WIDE CHISEL (COMES WITH T-7356A)	1
9	735609	HOSE ADAPTER	1			<b>OPTIONAL ACCESSORIES</b>	
10	735610	LOCKING RING	1		T-7356A1	DIAMOND POINT	
28	735628	ALIGNMENT SHIM	2		T-7356A2	PANEL CUTTER	
29	735629	REAR VALVE BLOCK	1		T-7356A3	BLANK CHISEL	
30	735630	PIN	2		T-7356A7	2" SCRAPER CHISEL	
31	735631	VALVE	1		T-7356A9	3" SCRAPER CHISEL	
32	735632	FRONT VALVE BLOCK	1		T-7356A18	1-3/8" ANGLE CHISEL (18")	
33	735633	PISTON	1		T-7356AT	COMPLETE ATTACHMENT (#S 45,46,47,48,49)	
35	735635	BARREL SLEEVE	1		T-7356SK	MINI TUNE UP KIT	
36	735636	NOSE	1		T-7356LK	MAXI TUNE UP KIT	
37	735637	KEY	1				
38	735638	DRIVER RETAINER	1				

505 N. Railroad Ave. 33435  
P.O. Box 1117 33425  
Boynton Beach, FL

SEE MORE OF OUR CATALOG AT  
[www.taylorpneumatic.com](http://www.taylorpneumatic.com)  
OCTOBER 2020 / ALL RIGHTS RESERVED / COPYRIGHT 2020

Ph. (561)732-1111  
Fax. (561)731-4412  
Toll Free (800) 805-8665