

# T-7356V NEEDLE SCALER VACUUM READY



## OILING INSTRUCTIONS:

**OIL AFTER EACH USE WITH A FEW DROPS OF AIRTOOL OIL THROUGH THE AIR INLET. RUN FOR 1 SECOND TO COAT ALL INTERNAL PARTS.**

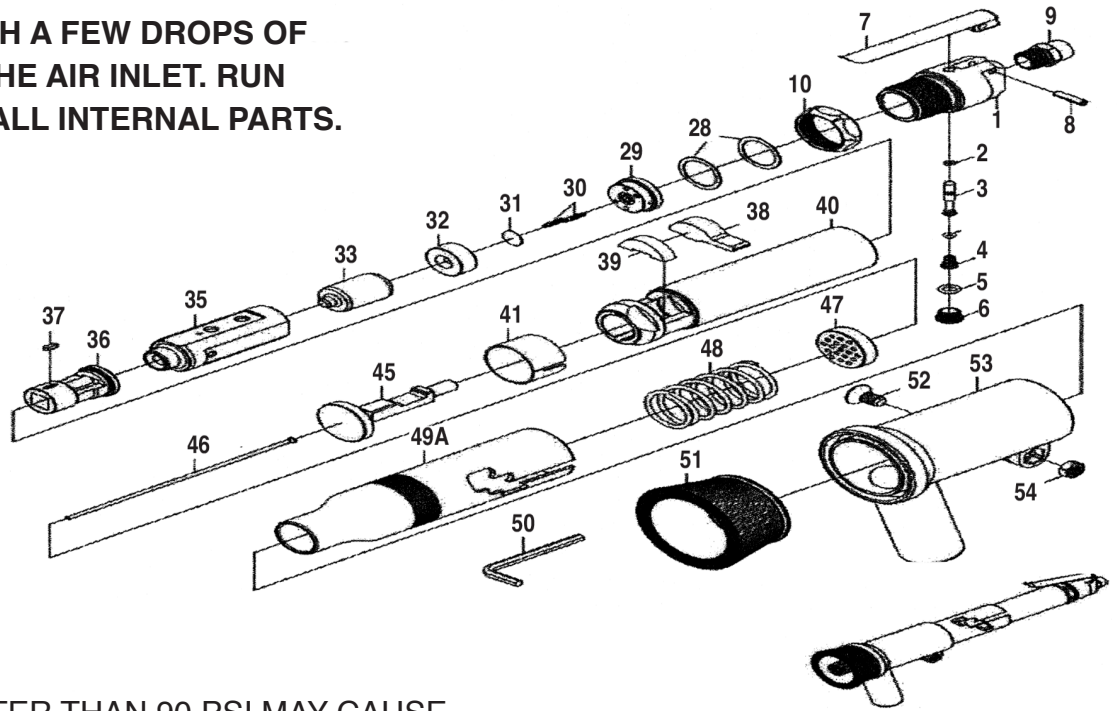
## RECOMMENDED:

**MINI TUNE UP KIT PARTS**

2,3,4,5,6,38,39,46,47,48

**MAXI KIT ADD TO THE**

**ABOVE- 7,9,28(2PCS),29,30(2PCS),31,32,33,45**



**\*USING PRESSURE GREATER THAN 90 PSI MAY CAUSE HEAVY WEAR AND WILL VOID THE WARRANTY**

### USE 90 PSI MAXIMUM

REF #	PART #	DESCRIPTION	QTY	REF #	PART #	DESCRIPTION	QTY
1	735601	BACKHEAD	1	39	735639	Retainer Buffer	1
2	735602	O-RING	1	40	735640	Barrel	1
3	735603	THROTTLE VALVE	1	41	735641	Clip	1
4	735604	SPRING	1	45	735645	Driver	1
5	735605	GASKET	1	46	T-735646	Needle Set (19)	1set
6	735606	VALVE CAP	1	47	735647	Needle Holder	1
7	735607	LEVER	1	48	735648	Spring	1
8	735608	PIN	1	49A	7356V49A	Needle Tube ( W/ Knurl )	1
9	735609	HOSE ADAPTER	1	50	7356V50	Allen Wrench	1
10	735610	LOCKING RING	1	51	7356V51	Brush	1
28	735628	ALIGNMENT SHIM	2	52	7356V52	Screw	1
29	735629	REAR VALVE BLOCK	1	53	7356V53	Shroud	1
30	735630	PIN	2	54	7356V54	Nut	1
31	735631	VALVE	1				
32	735632	FRONT VALVE BLOCK	1				
33	735633	PISTON	1				
35	735635	BARREL SLEEVE	1				
36	735636	NOSE	1				
37	735637	KEY	1				
38	735638	DRIVER RETAINER	1				
						<b>OPTIONAL ACCESSORIES</b>	
					T-7356SK	MINI TUNE UP KIT	
					T-7356LK	MAXI TUNE UP KIT	

505 N. Railroad Ave. 33435  
P.O. Box 1117 33425  
Boynton Beach, FL

FOR WARRANTY INFORMATION &  
WARRANTY REGISTRATION VISIT

[www.taylorpneumatic.com](http://www.taylorpneumatic.com)

\* 8/23 / ALL RIGHTS RESERVED / COPYRIGHT 2023

Ph. (561)732-1111  
Fax. (561)731-4412  
Toll Free (800) 805-8665