

T-7356V NEEDLE SCALER VACUUM READY



OILING INSTRUCTIONS:

OIL AFTER EACH USE WITH A FEW DROPS OF AIRTOOL OIL THROUGH THE AIR INLET. RUN FOR 1 SECOND TO COAT ALL INTERNAL PARTS.

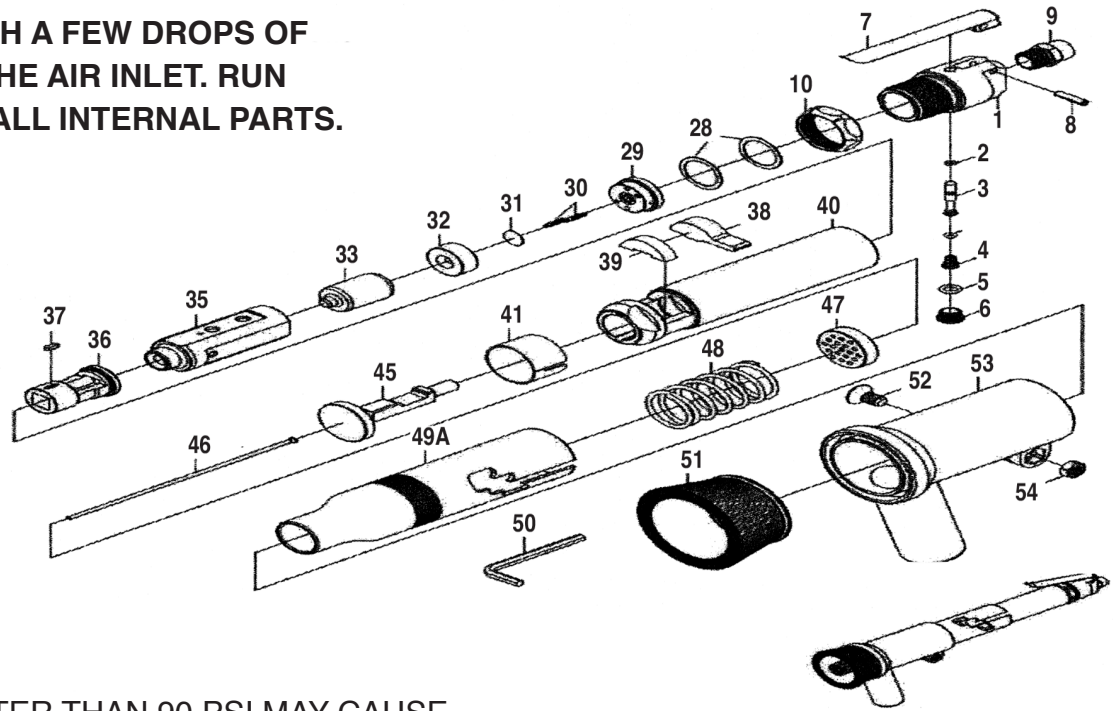
RECOMMENDED:

MINI TUNE UP KIT PARTS

2,3,4,5,6,38,39,46,47,48

MAXI KIT ADD TO THE

ABOVE- 7,9,28(2PCS),29,30(2PCS),31,32,33,45



***USING PRESSURE GREATER THAN 90 PSI MAY CAUSE HEAVY WEAR AND WILL VOID THE WARRANTY**

USE 90 PSI MAXIMUM

REF #	PART #	DESCRIPTION	QTY	REF #	PART #	DESCRIPTION	QTY
1	735601	BACKHEAD	1	39	735639	RETAINER BUFFER BARREL	1
2	735602	O-RING	1	40	735640	RETAINER CLIP	1
3	735603	THROTTLE VALVE	1	41	735641	NEEDLE DRIVER NEEDLE	1
4	735604	SPRING	1	45	735645	(19 PER SET) NEEDLE	1
5	735605	GASKET	1	46	T-735646	HOLDER SPRING	1set
6	735606	VALVE CAP	1	47	735647	NEEDLE TUB (W/KNURL)	1
7	735607	LEVER	1	48	735648	ALLEN WRENCH	1
8	735608	PIN	1	49A	7356V49A	BRUSH	1
9	735609	HOSE ADAPTER	1	50	7356V50	SCREW	1
10	735610	LOCKING RING	1	51	7356V51	SHROUD	1
28	735628	ALIGNMENT SHIM	2	52	7356V52	NUT	1
29	735629	REAR VALVE BLOCK	1	53	7356V53		1
30	735630	PIN	2	54	7356V54		1
31	735631	VALVE	1			OPTIONAL ACCESSORIES	
32	735632	FRONT VALVE BLOCK	1			MINI TUNE UP KIT	
33	735633	PISTON	1			MAXI TUNE UP KIT	
35	735635	BARREL SLEEVE	1				
36	735636	NOSE	1				
37	735637	KEY	1				
38	735638	DRIVER RETAINER	1				
					T-7356SK		
					T-7356LK		

505 N. Railroad Ave. 33435
P.O. Box 1117 33425
Boynton Beach, FL

SEE MORE OF OUR CATALOG AT
www.taylorpneumatic.com
OCTOBER 2020 / ALL RIGHTS RESERVED / COPYRIGHT 2020

Ph. (561)732-1111
Fax. (561)731-4412
Toll Free (800) 805-8665