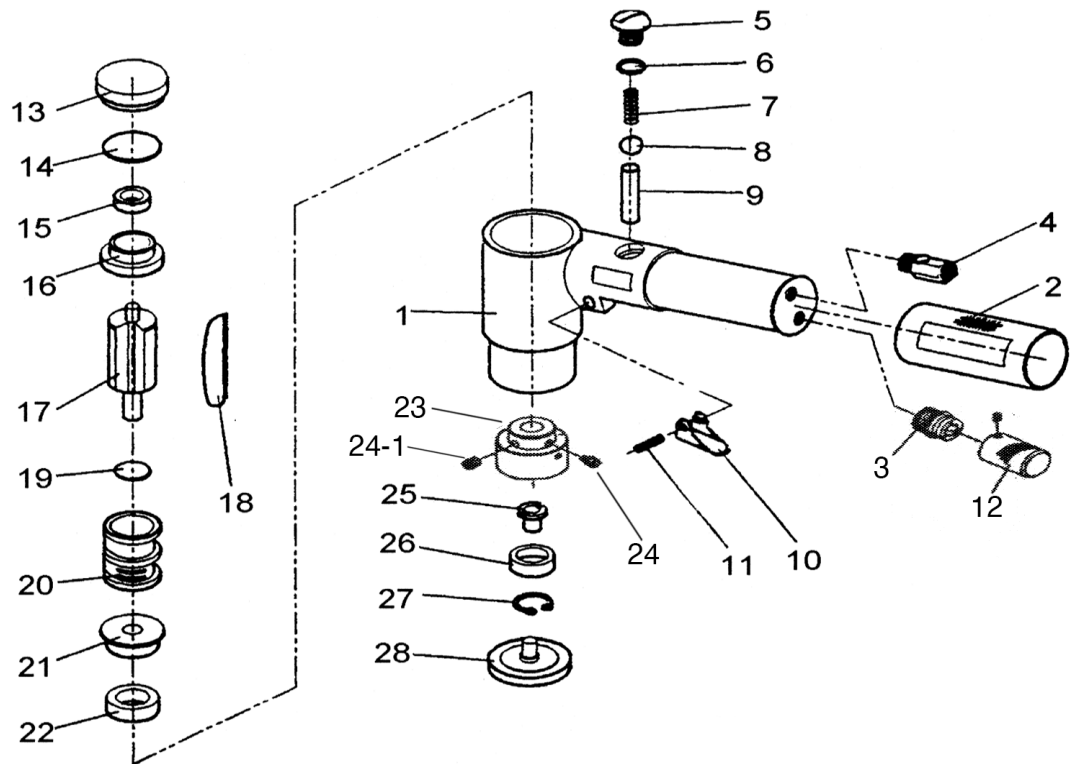


T-7211 2" MINI DA SANDER



**OILING INSTRUCTIONS:
OIL AFTER EACH USE
WITH A FEW DROPS OF
AIRTOOL OIL THROUGH
THE AIR INLET. RUN FOR
1 SECOND TO COAT ALL
INTERNAL PARTS.**



USE 90 PSI MAXIMUM

REF #	PART #	DESCRIPTION	QTY	REF #	PART #	DESCRIPTION	QTY
1	721101	BODY	1	16	721116	REAR END PLATE	1
2	721102	RUBBER SLEEVE	1	17	721117	ROTOR	1
3	721103	MUFFLER MOUNT	1	18	721118	ROTOR BLADE (5 PER SET)	1set
4	721104	REGULATOR ASSEMBLY	1	19	721119	COLLAR	1
5	721105	PLUG	1	20	721120	SYLINDER	1
6	721106	O-RING	1	21	721121	FRONT END PLATE	1
7	721107	SPRING	1	22	721122	BEARING	1
8	721108	STEEL BALL	1	23	721123	SPINDLE	1
9	721109	VALVE PIN	1	24	721124	SCREW	1
10	721110	LEVER	1	25	721125	DRIVER SPINDLE	1
11	721111	SPRING PIN	1	26	721126	BEARING	1
12	721112A	EXHAUST ASSEMBLY	1	27	721127	RETAINING RING	1
13	721113	CAP	1	28	721128	PAD (PSA)	1
14	721114	O-RING	1	28	721128V	PAD VELCRO (OPTIONAL)	
15	721115	BEARING	1	29	721129	LOCK PIN (NOT SHOWN)	1

505 N. Railroad Ave. 33435
P.O. Box 1117 33425
Boynton Beach, FL

FOR WARRANTY INFORMATION &
WARRANTY REGISTRATION VISIT
www.taylorpneumatic.com

Ph. (561)732-1111
Fax. (561)731-4412
Toll Free (800) 805-8665