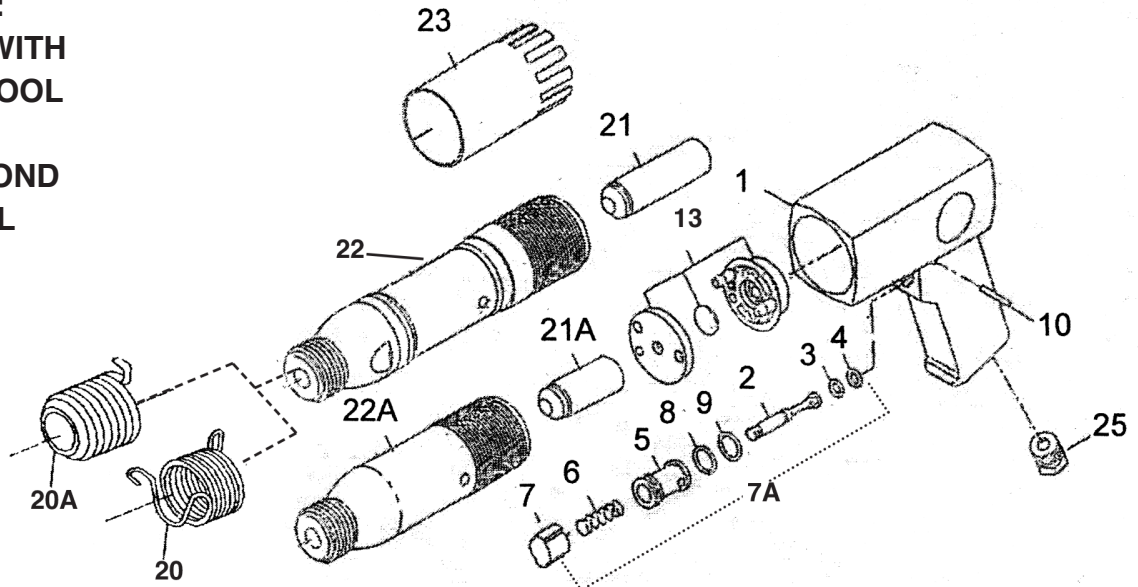


T-7111 AIR HAMMER T-7151 AIR HAMMER



**OILING INSTRUCTIONS:
OIL AFTER EACH USE WITH
A FEW DROPS OF AIRTOOL
OIL THROUGH THE AIR
INLET. RUN FOR 1 SECOND
TO COAT ALL INTERNAL
PARTS.**



USE 90 PSI MAXIMUM

REF #	PART #	DESCRIPTION	QTY	REF #	PART #	DESCRIPTION	QTY
1	715101A	HANDLE ASSEMBLY INCLUDES #1-10, 25	1	22A	711122	CYLINDER	1
2	715102	THROTTLE VALVE STEM	1	22	715122	CYLINDER	1
3	715103	O-RING	1	23	715123	DEFLECTOR (T-7151 ONLY)	1
4	715104	O-RING	1	25	715125	AIR INLET	1
5	715105	VALVE BUSHING	1			OPTIONAL ACCESSORIES FOR .401 AIR HAMMERS	
6	715106	VALVE SPRING	1	T-4030		TAPERED PUNCH	
7	715107	TRIGGER	1	T-4040		COLD CHISEL	
7A	715107A	TRIGGER ASSEMBLY #2-9	1	T-4060		SPOT WELD BUSTER	
8	715108	O-RING	1	T-4090		SPECIAL PANEL CUTTER	
9	715109	O-RING	1	T-4100		DOUBLE BLADED CUTTER	
10	715110	ROLL PIN	1	T-4220		SCRAPER BLADE 1-1/4"	
13	715113A	VALVE ASSEMBLY	1	T-7513		ALUMINUM SAFETY CK.	
20	T-5120	QUICK CHANGE SPRING	1	T-7514		QUICK CHANGE RETAINER	
20A	T-5210	BEEHIVE SPRING (OPTIONAL)	1				
21A	711121	PISTON	1				
21	715121	PISTON	1				

505 N. Railroad Ave. 33435
P.O. Box 1117 33425
Boynton Beach, FL

FOR WARRANTY INFORMATION &
WARRANTY REGISTRATION VISIT

www.taylorpneumatic.com

Ph. (561)732-1111
Fax. (561)731-4412
Toll Free (800) 805-8665