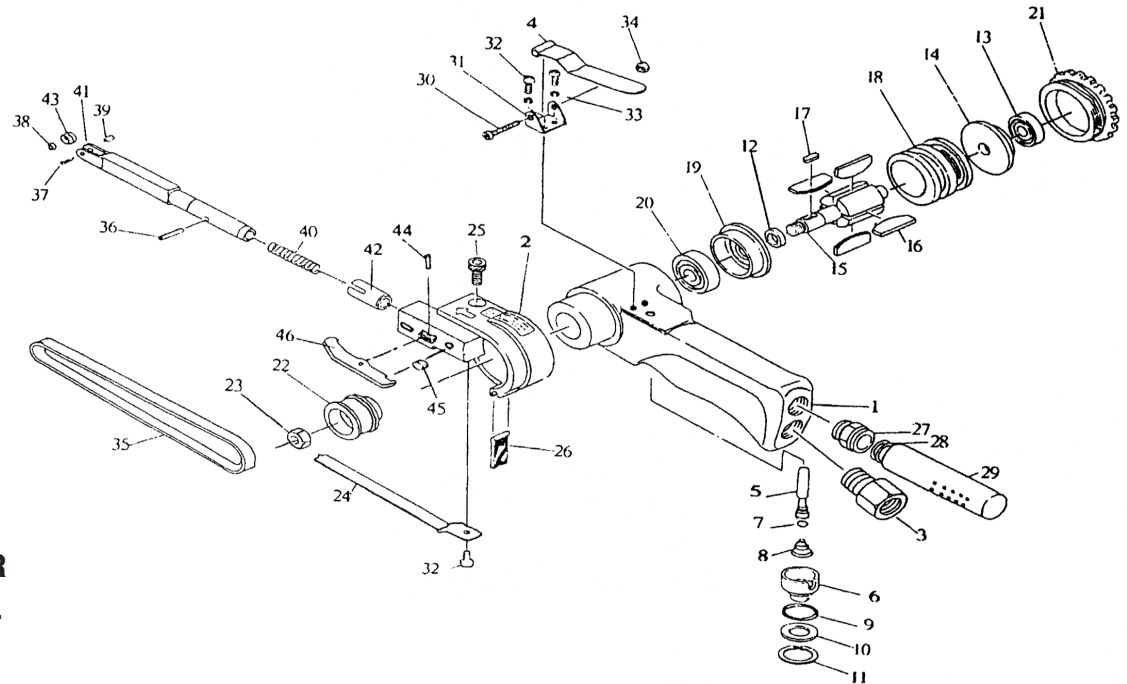


T-7060 BELT SANDER

1/4" X 13" 16,000 RPM



OILING INSTRUCTIONS:
OIL AFTER EACH USE
WITH A FEW DROPS OF
AIRTOOL OIL THROUGH
THE AIR INLET. RUN FOR
1 SECOND TO COAT ALL
INTERNAL PARTS

USE 90 PSI MAXIMUM

REF #	PART #	DESCRIPTION	QTY	REF #	PART #	DESCRIPTION	QTY
1	706001	HOUSING	1	27	706027	NIPPLE	1
2	706002	GUARD SUB	1	28	706028	SPRING	1
3	706003	AIR INLET	1	29	706029	SILENCER	1
4	706004	LEVER	1	30	706030	SCREW	1
5	706005	VALVE STEM	1	31	706031	LEVER SUPPORT	1
6	706006	REGULATOR	1	32	706032	SCREW	3
7	706007	O-RING	1	33	706033	SPRING WASHER	2
8	706008	SPRING	1	34	706034	NUT	1
9	706009	O-RING	1	35	T-706060	60 GRIT BELT (OPTIONAL)	-
10	706010	SPACER	1		T-706080	80 GRIT BELT (OPTIONAL)	-
11	706011	RETAINING RING	1		T-7060100	100 GRIT BELT	1
12	706012	SPACER	1		T-7060120	120 GRIT BELT	1
13	706013	BEARING	1	36	706036	LOCK PIN	1
14	706014	REAR END PLATE	1	37	706037	SCREW	1
15	706015	ROTOR	1	38	706038	BEARING	1
16	706016	ROTOR BLADES (SET OF 4)	1 set	39	706039	SHAFT	1
17	706017	KEY	1	40	706040	SPRING	1
18	706018	CYLINDER	1	41	706041	TENSION BAR	1
19	706019	FRONT END PLATE	1	42	706042	BUSHING	1
20	706020	BEARING	1	43	706043	PULLEY	1
21	706021	CAP	1	44	706044	SPRING PIN	1
22	706022	DRIVE PULLEY	1	45	706045	SPRING	1
23	706023	NUT	1	46	706046	LEVER	1
24	706024	SHOE	1	47	706047	4MM WRENCH (NOT SHOWN)	1
25	706025	BOLT	1				
26	706026	DUST COVER	1				