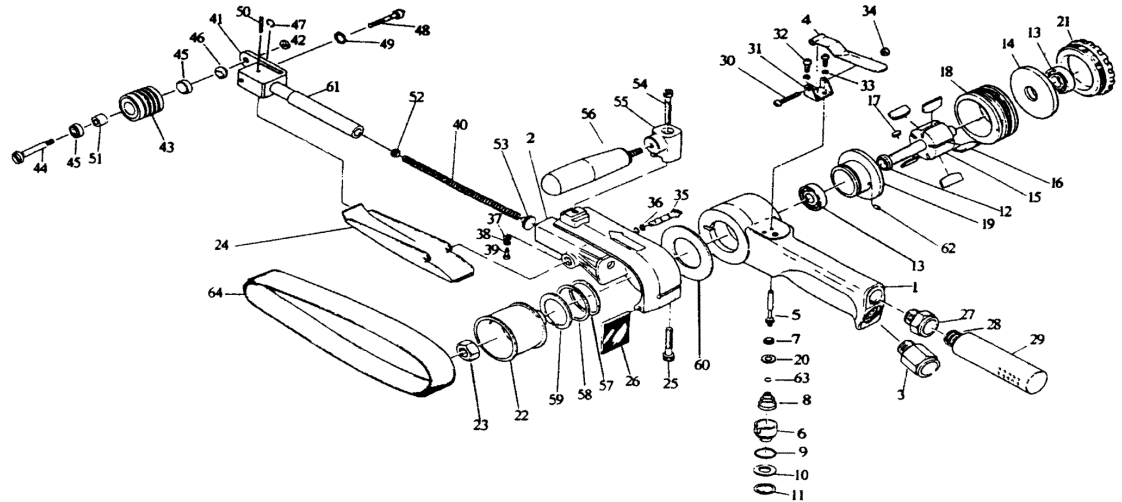


T-7030 BELT SANDER

1-3/16" X 21-1/4" 12,000 RPM



**OILING INSTRUCTIONS:
OIL AFTER EACH USE
WITH A FEW DROPS OF
AIRTOOL OIL THROUGH
THE AIR INLET. RUN FOR
1 SECOND TO COAT ALL
INTERNAL PARTS**

USE 90 PSI MAXIMUM

REF #	PART #	DESCRIPTION	QTY	REF #	PART #	DESCRIPTION	QTY
1	703001	HOUSING	1	35	703035	SHOE HOLDER	1
2	703002	GUARD	1	36	703036	O-RING	2
3	703003	AIR INLET	1	37	703037	WASHER	1
4	703004	LEVER	1	38	703038	SPRING WASHER	1
5	703005	VALVE STEM	1	39	703039	SCREW	1
6	703006	REGULATOR	1	40	703040	TENSION SPRING	1
7	703007	O-RING	1	41	703041	TENSION BAR	1
8	703008	SPRING	1	42	703042	NUT	1
9	703009	O-RING	1	43	703043	IDLER PULLEY	1
10	703010	SPACER	1	44	703044	SHAFT	1
11	703011	RETAINING RING	1	45	703045	BEARING	2
12	703012	DISTANCE COLLAR	1	46	703046	SPACER	1
13	703013	BEARING	1	47	703047	RETAINING RING	1
14	703014	REAR END PLATE	1	48	703048	BOLT	1
15	703015	ROTOR	1	49	703049	SPRING WASHER	1
16	703016	BLADES (SET OF 5)	1set	50	703050	SPRING PIN	1
17	703017	KEY	1	51	703051	SPACER	1
18	703018	CYLINDER	1	52	703052	SPRING RETAINER A	1
19	703019	FRONT END PLATE	1	53	703053	SPRING RETAINER B	1
20	703020	WASHER	1	54	703054	BOLT	1
21	703021	CAP	1	55	703055	SUB HANDLE HOLDER	1
22	703022	DRIVE PULLEY	1	56	703056	HANDLE	1
23	703023	NUT	1	57	703057	WAVED LOCK WASHER	1
24	703024	FLAT SHOE	1	58	703058	THRUST WASHER	1
25	703025	BOLT	1	59	703059	RETAINING RING	1
26	703026	DUST COVER	1	60	703060A	WASHER	1
27	703027	NIPPLE	1	61	703061	ARM	1
28	703028	SPRING	1	62	703062	SPRING PIN	1
29	703029	SILENCER	1	63	703063	RETAINING RING	1
30	703030	SCREW	1	64	T-703080	80 GRIT BELT	1
31	703031	LEVER SUPPORT	1		T-7030120	120 GRIT BELT	1
32	703032	SCREW	2	66	703066	5MM WRENCH (NOT SHOWN)	1
33	703033	SPRING WASHER	2				
34	703034	NUT	1				

505 N. Railroad Ave. 33435
P.O. Box 1117 33425
Boynton Beach, FL

FOR WARRANTY INFORMATION &
WARRANTY REGISTRATION VISIT

www.taylorpneumatic.com

Ph. (561)732-1111
Fax. (561)731-4412
Toll Free (800) 805-8665