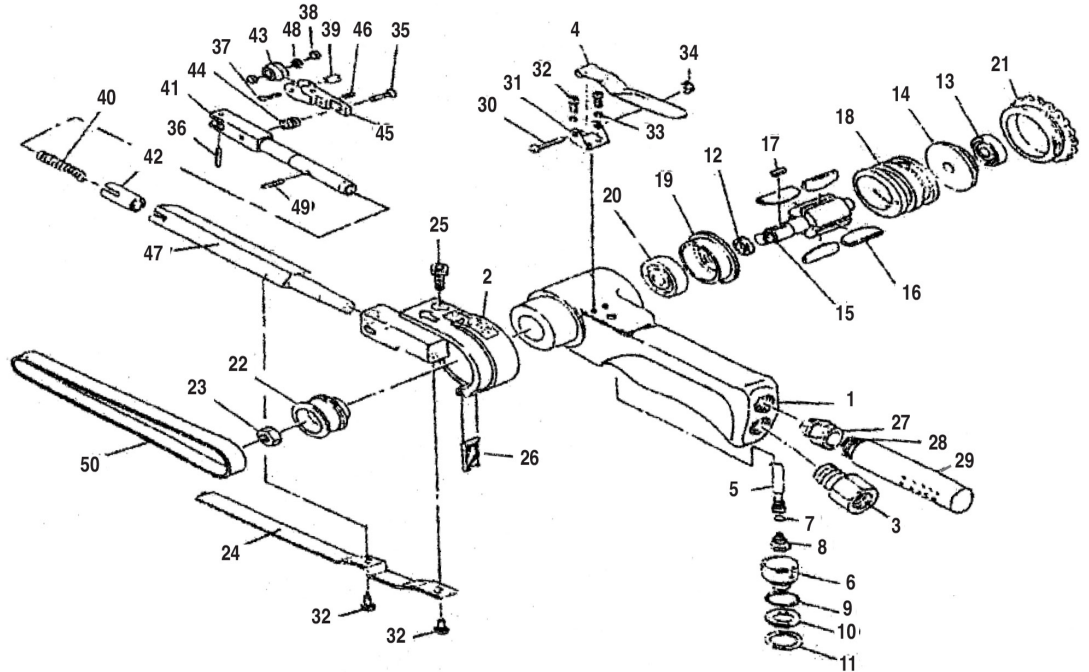


# T-7012 BELT SANDER

## 1/2"X24" 16,000 RPM



**OILING INSTRUCTIONS:**  
**OIL AFTER EACH USE**  
**WITH A FEW DROPS OF**  
**AIRTOOL OIL THROUGH**  
**THE AIR INLET. RUN FOR**  
**1 SECOND TO COAT ALL**  
**INTERNAL PARTS**



**USE 90 PSI MAXIMUM**

REF #	PART #	DESCRIPTION	QTY	REF #	PART #	DESCRIPTION	QTY
1	701201	HOUSING	1	28	701228	SPRING	1
2	701202	GUARD SUB	1	29	701229	SILENCER	1
3	701203	AIR INLET	1	30	701230	SCREW	1
4	701204	LEVER	1	31	701231	LEVER SUPPORT	1
5	701205	VALVE STEM	1	32	701232	SCREW	4
6	701206	REGULATOR	1	33	701233	SPRING WASHER	2
7	701207	O-RING	1	34	701234	NUT	1
8	701208	SPRING	1	35	701235	SCREW	1
9	701209	O-RING	1	36	701236	SPRING PIN	1
10	701210	SPACER	1	37	701237	SCREW	1
11	701211	RETAINING RING	1	38	701238	BEARING	2
12	701212	SPACER	1	39	701239	IDLER PULLEY SHAFT	1
13	701213	BEARING	1	40	701240	SPRING	1
14	701214	REAR END PLATE	1	41	701241	TENSION BAR	1
15	701215	ROTOR	1	42	701242	BUSHING	1
16	701216	ROTOR BLADES (4 PER SET)	1set	43	701243	IDLER PULLEY	1
17	701217	KEY	1	44	701244	SPRING	1
18	701218	CYLINDER	1	45	701245	BRACKET	1
19	701219	FRONT END PLATE	1	46	701246	SCREW	1
20	701220	BEARING	1	47	701247	EXTENTION BAR	1
21	701221	CAP	1	48	701248	SPACER	1
22	701222	DRIVE PULLEY	1	49	701249	LOCK PIN	1
23	701223	NUT	1	50	T-7012100	100 GRIT BELT	1
24	701224	SHOE	1		T-7012120	120 GRIT BELT	1
25	701225	BOLT	1	51	701251	ALLEN WRENCH (NOT SHOWN)	1
26	701226	DUST COVER	1				
27	701227	NIPPLE	1				

505 N. Railroad Ave. 33435  
P.O. Box 1117 33425  
Boynton Beach, FL

FOR WARRANTY INFORMATION &  
WARRANTY REGISTRATION VISIT

[www.taylorpneumatic.com](http://www.taylorpneumatic.com)

Ph. (561)732-1111  
Fax. (561)731-4412  
Toll Free (800) 805-8665