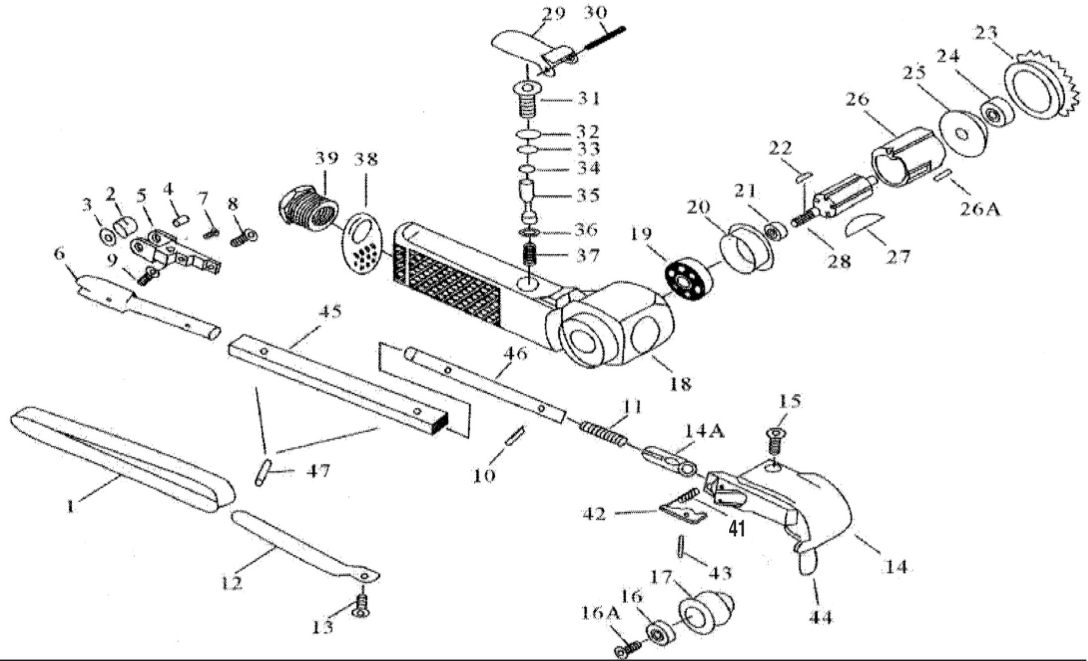


T-7012A BELT SANDER

1/2"X24" 16,000 RPM



OILING INSTRUCTIONS:
OIL AFTER EACH USE
WITH A FEW DROPS OF
AIRTOOL OIL THROUGH
THE AIR INLET. RUN FOR
1 SECOND TO COAT ALL
INTERNAL PARTS



USE 90 PSI MAXIMUM

REF #	PART #	DESCRIPTION	QTY	REF #	PART #	DESCRIPTION	QTY
1	T-7012100	100 GRIT BELT	1	22	7012A22	KEY	1
	T-7012120	120 GRIT BELT	1	23	7012A23	CAP	1
2	7012A02	IDLER PULLEY ASSEMBLY (INCLUDES PULLEY, 2 BEARINGS & SPACER)	1set	24	7012A24	BEARING	1
3	7012A03	WASHER	1	25	7012A25	END PLATE	1
4	7012A04	IDLER PULLEY SHAFT	1	26	7012A26	CYLINDER	1
5	7012A05	BRACKET	1	26A	7012A26A	PIN	1
6	7012A06	TENSION BAR	1	27	7012A27	ROTOR BLADES (5 PER SET)	1set
7	7012A07	SCREW	1	28	7012A28	ROTOR	1
8	7012A08	SCREW	1	29	7012A29	THROTTLE LEVER	1
9	7012A09	SPRING	1	30	7012A30	LEVER PIN	1
10	7012A10	SPRING PIN	1	31	7012A31	VALVE BODY	1
11	7012A11	SPRING	1	32	7012A32	O-RING	1
12	7012A12	SHOE	1	33	7012A33	O-RING	1
13	7012A13	SCREW	1	34	7012A34	O-RING	1
14	7012A14	GUARD SUB ASSEMBLY	1	35	7012A35	VALVE STEM	1
14A	7012A14A	BUSHING	1	36	7012A36	O-RING	1
15	7012A15	BOLT	1	37	7012A37	VALVE SPRING	1
16	7012A16	NUT	1	38	7012A38	EXHAUST DEFLECTOR	1
16A	7012A16A	BOLT	1	39	7012A39	AIR INLET	1
17	7012A17	DRIVE PULLEY	1	41	7012A41	SPRING	1
18	7012A18	HOUSING	1	42	7012A42	LEVER	1
19	7012A19	BEARING	1	43	7012A43	LEVER PIN	1
20	7012A20	END PLATE	1	44	7012A44	SPARK GUARD	1
21	7012A21	SPACER	1	45	7012A45	TENSION SPINDLE	1
				46	7012A46N	SHAFT	1
				47	7012A47	PIN	2
				48	7012A48	ALLEN WRENCH 4MM (NOT SHOWN)	1
				49	7012A49	ALLEN WRENCH 1/16" (NOT SHOWN)	1

505 N. Railroad Ave. 33435
P.O. Box 1117 33425
Boynton Beach, FL

FOR WARRANTY INFORMATION &
WARRANTY REGISTRATION VISIT

www.taylorpneumatic.com

Ph. (561)732-1111
Fax. (561)731-4412
Toll Free (800) 805-8665