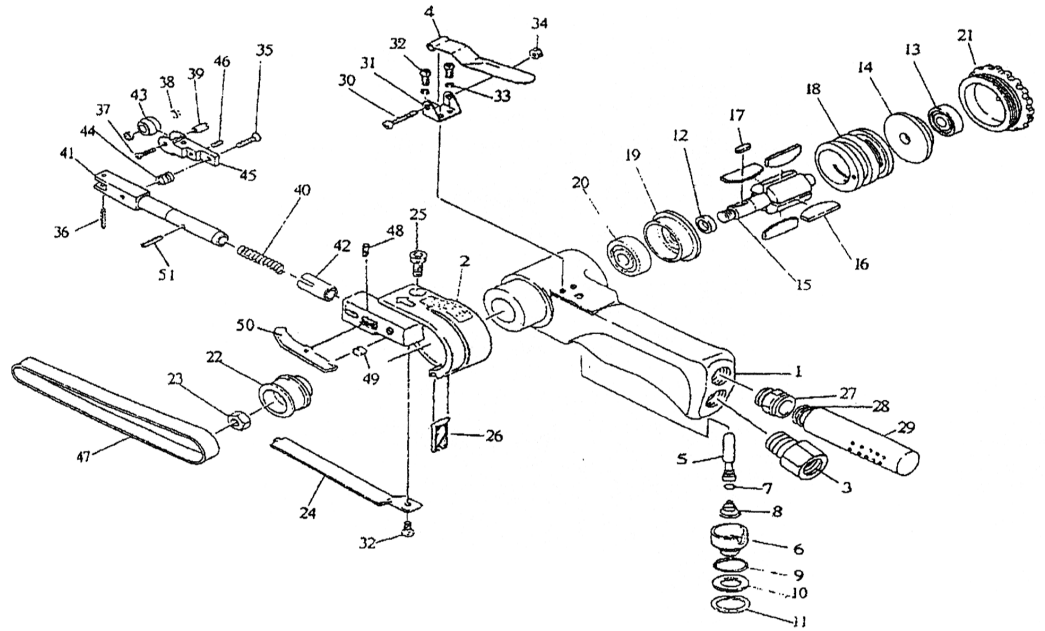


# T-7010 BELT SANDER

## 3/8"X13" 16,000 RPM



**OILING INSTRUCTIONS:**  
**OIL AFTER EACH USE**  
**WITH A FEW DROPS OF**  
**AIRTOOL OIL THROUGH**  
**THE AIR INLET. RUN FOR**  
**1 SECOND TO COAT ALL**  
**INTERNAL PARTS**



**USE 90 PSI MAXIMUM**

REF #	PART #	DESCRIPTION	QTY	REF #	PART #	DESCRIPTION	QTY
1	701001	HOUSING	1	29	701029	SILENCER	1
2	701002	GUARD SUB	1	30	701030	SCREW	1
3	701003	AIR INLET	1	31	701031	LEVER SUPPORT	1
4	701004	LEVER	1	32	701032	SCREW	3
5	701005	VALVE STEM	1	33	701033	SPRING WASHER	2
6	701006	REGULATOR	1	34	701034	NUT	1
7	701007	O-RING	1	35	701035	SCREW	1
8	701008	SPRING	1	36	701036	SPRING PIN	1
9	701009	O-RING	1	37	701037	SCREW	1
10	701010	SPACER	1	38	701038	BEARING	2
11	701011	RETAINING RING	1	39	701039	IDLER PULLEY SHAFT	1
12	701012	SPACER	1	40	701040	SPRING	1
13	701013	BEARING	1	41	701041	TENSION BAR	1
14	701014	REAR END PLATE	1	42	701042	BUSHING	1
15	701015	ROTOR	1	43	701043	IDLER PULLEY	1
16	701016	ROTOR BLADE (4 PER SET)	1set	44	701044	SPRING	1
17	701017	KEY	1	45	701045	BRACKET	1
18	701018	CYLINDER	1	46	701046	SCREW	1
19	701019	FRONT END PLATE	1	47	T-7010120	120 GRIT BELT	1
20	701020	BEARING	1		T-7010100	100 GRIT BELT	1
21	701021	CAP	1	48	701048	SPRING PIN	1
22	701022	DRIVE PULLEY	1	49	701049	SPRING	1
23	701023	NUT	1	50	701050	TENSION LATCH	1
24	701024	SHOE	1	51	701051	LOCK PIN	1
25	701025	SOCKET HEAD BOLT	1	52	701052	ALLEN WRENCH 4MM	1
26	701026	DUST COVER	1	53	701053	ALLEN WRENCH 1/16"	1
27	701027	NIPPLE	1				
28	701028	SPRING	1				

505 N. Railroad Ave. 33435  
P.O. Box 1117 33425  
Boynton Beach, FL

FOR WARRANTY INFORMATION &  
WARRANTY REGISTRATION VISIT

[www.taylorpneumatic.com](http://www.taylorpneumatic.com)

Ph. (561)732-1111  
Fax. (561)731-4412  
Toll Free (800) 805-8665