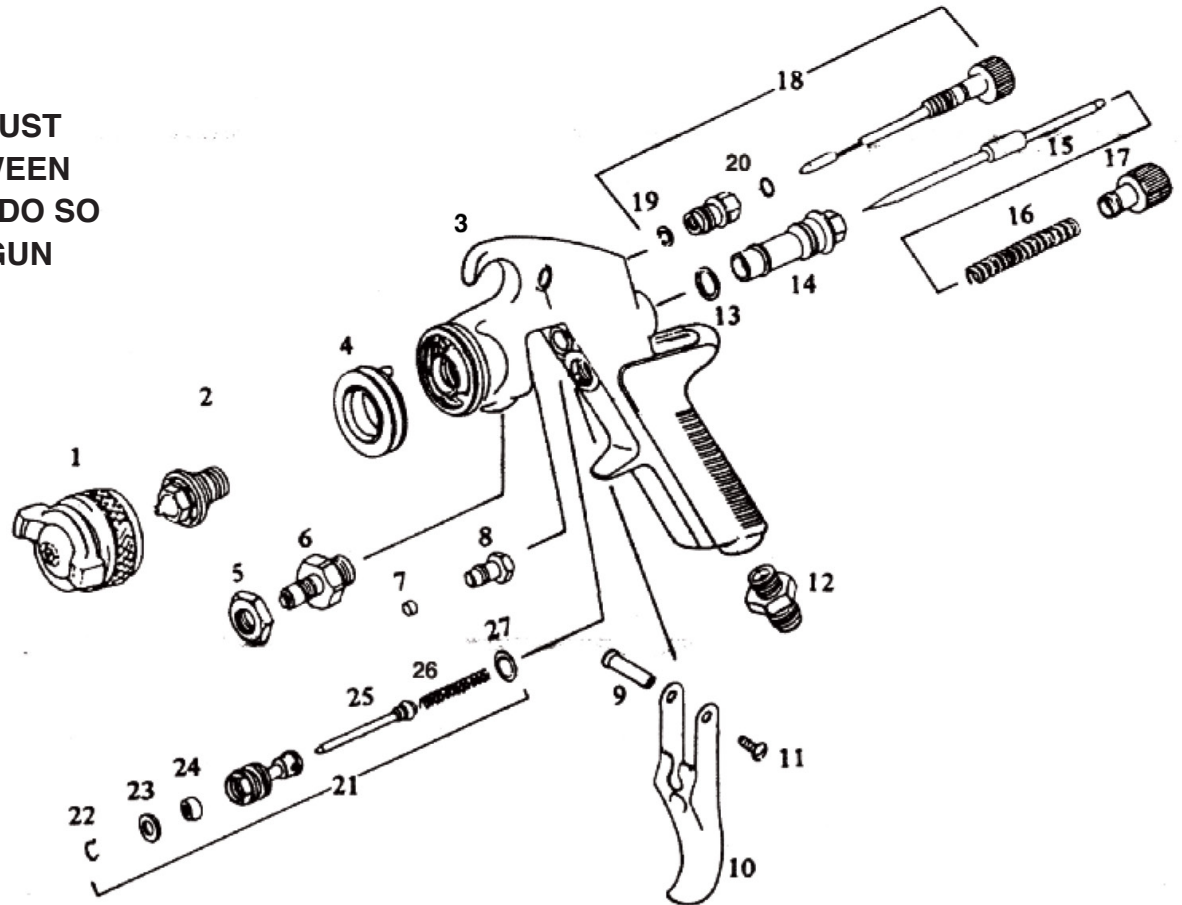


T-7007N SPRAY GUN & NO-DRIP CUP



**THIS SPRAY GUN MUST
BE CLEANED BETWEEN
USES. FAILURE TO DO SO
MIGHT MAKE THE GUN
INOPERABLE.**



USE 90 PSI MAXIMUM

REF #	PART #	DESCRIPTION	QTY	REF #	PART #	DESCRIPTION	QTY
1	7007N01	AIR CAP	1	15	7007N15	FLUID NEEDLE	1
2	7007N02	FLUID TIP	1	16	7007N16	SPRING	1
3	7007N03	HOUSING BODY	1	17	7007N17	ADJUSTING SCREW	1
4	7007N04	BAFFLE	1	18	7007N18	ADJUSTMENT ASSEMBLY	1
5	7007N05	LOCK NUT	1	19	7007N19	RETAINING RING	1
6	7007N06	NIPPLE	1	20	7007N20	O-RING	1
7	7007N07	PACKING	1	21	7007N21	AIR VALVE ASSEMBLY	1
8	7007N08	PACKING GLAND	1	22	7007N22	SNAP RING	1
9	7007N09	TRIGGER BEARING STUD	1	23	7007N23	WASHER	1
10	7007N10	TRIGGER	1	24	7007N24	U CUP SEAL	1
11	7007N11	SCREW	1	25	7007N25	AIR VALVE	1
12	7007N12	AIR INLET	1	26	7007N26	SPRING	1
13	7007N13	GASKET	1	27	7007N27	GASKET	1
14	7007N14	BUSHING	1		7007C	DRIPLESS CUP (NOT SHOWN)	1

505 N. Railroad Ave. 33435
P.O. Box 1117 33425
Boynton Beach, FL

FOR WARRANTY INFORMATION &
WARRANTY REGISTRATION VISIT
www.taylorpneumatic.com

Ph. (561)732-1111
Fax. (561)731-4412
Toll Free (800) 805-8665