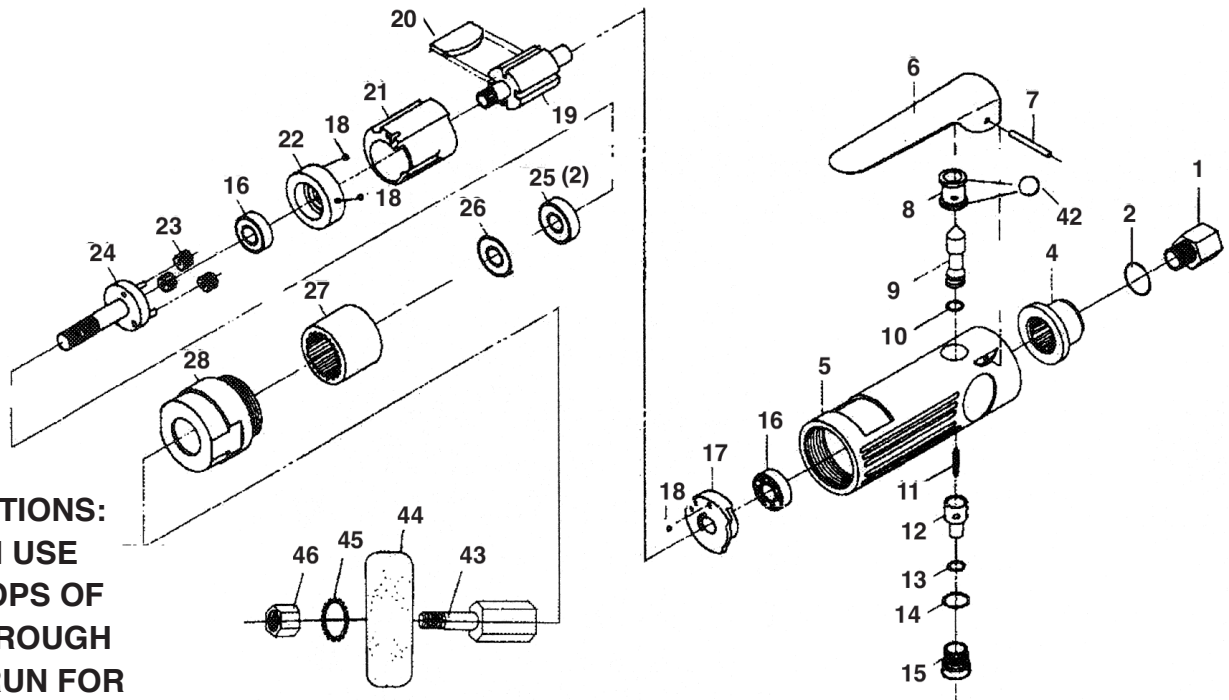


# T-7002A LOW SPEED TIRE BUFFER 2500 RPM



**OILING INSTRUCTIONS:**  
OIL AFTER EACH USE  
WITH A FEW DROPS OF  
AIRTOOL OIL THROUGH  
THE AIR INLET. RUN FOR  
1 SECOND TO COAT ALL  
INTERNAL PARTS.

## USE 90 PSI MAXIMUM

REF #	PART #	DESCRIPTION	QTY	REF #	PART #	DESCRIPTION	QTY
1	7002A01	INLET BUSHING	1	21	7002A21	CYLINDER	1
2	7002A02	O-RING	1	22	7002A22	FRONT END PLATE	1
4	7002A04	EXHAUST	1	23	7002A23	IDLER GEAR	3
5	7002A05	HOUSING	1	24	7002A24	SPINDLE	1
6	7002A06	THROTTLE LEVER	1	25	7002A25	BEARING	2
7	7002A07	PIN	1	26	7002A26	WASHER	1
8	7002A08	VALVE BUSHING	1	27	7002A27	RING GEAR	1
9	7002A09	VALVE	1	28	7002A28	GEAR CAP	1
10	7002A10	O-RING	1	42	7002A42	O-RING	2
11	7002A11	SPRING	1	43	7002A43	SPINDLE	1
12	7002A12	AIR REGULATOR	1	44	T-7002A44	METAL WHEEL	1
13	7002A13	O-RING	1	45	7002A45	WASHER	1
14	7002A14	O-RING	1	46	7002A46	NUT	1
15	7002A15	VALVE CAP	1				
16	7002A16	BEARING	2				
17	7002A17	REAR END PLATE	1				
18	7002A18	BALL	3				
19	7002A19	ROTOR	1				
20	7002A20	ROTOR BLADES (4 PER SET)	1set				

505 N. Railroad Ave. 33435  
P.O. Box 1117 33425  
Boynton Beach, FL

FOR WARRANTY INFORMATION &  
WARRANTY REGISTRATION VISIT

[www.taylorpneumatic.com](http://www.taylorpneumatic.com)

Ph. (561)732-1111  
Fax. (561)731-4412  
Toll Free (800) 805-8665