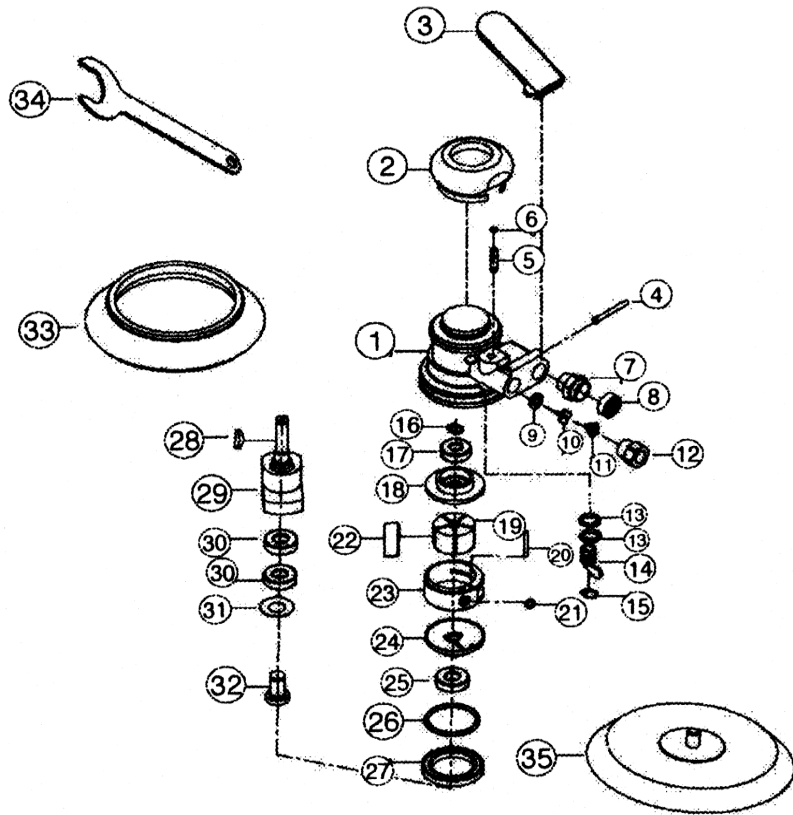


T-6955 & T-6956 (3/16" ORBIT) T-6955B & T-6956B (3/32" ORBIT) 5" OR 6" PALM GRIP SANDER



OILING INSTRUCTIONS:
OIL AFTER EACH USE WITH
A FEW DROPS OF AIRTOOL
OIL THROUGH THE AIR INLET.
RUN FOR 1 SECOND TO
COAT ALL INTERNAL PARTS.



USE 90 PSI MAXIMUM

REF #	PART #	DESCRIPTION	QTY	REF #	PART #	DESCRIPTION	QTY
1	695501	HOUSING	1	20	695520	SPRING PIN	1
2	695502	HOUSING GRIP	1	21	695521	O-RING	1
3	695503	LEVER	1	22	695522	ROTOR BLADE (SET OF 5)	1set
4	695504	SPRING PIN	1	23	695523	CYLINDER	1
5	695505	VALVE STEM	1	24	695524	FRONT END PLATE	1
6	695506	O-RING	1	25	695525	BEARING	1
7	695507	EXHAUST ADAPTER	1	26	695526	O-RING	1
8	695508	MUFFLER ELEMENT	1	27	695527	LOCK RING	1
9	695509	VALVE SEAT	1	28	695528	WOODRUFF KEY	1
10	695510	VALVE TIP	1	29	695529	COUNTERBALANCE - 3/16"	1
11	695511	SPRING	1		695529B	COUNTERBALANCE - 3/32"	1
12	695512	AIR INLET	1		695629	COUNTERBALANCE - 3/16"	1
13	695513	O-RING	2		695629B	COUNTERBALANCE - 3/32"	1
14	695514	REGULATOR	1	30	695530	BEARING	2
15	695515	SNAP RING	1	31	695531	WASHER	1
16	695516	RETAINING RING	1	32	695532	SPINDLE	1
17	695517	BEARING	1	33	695533	SHROUD GUARD	1
18	695518	REAR END PLATE	1	34	695534	WRENCH (24MM)	1
19	695519	ROTOR	1	35	T-6416	PAD 6"	1
					T-6415	PAD 5" (NOT SHOWN)	1

505 N. Railroad Ave. 33435
P.O. Box 1117 33425
Boynton Beach, FL

SEE MORE OF OUR CATALOG AT
www.taylorpneumatic.com

Ph. (561)732-1111
Fax. (561)731-4412
Toll Free (800) 805-8665