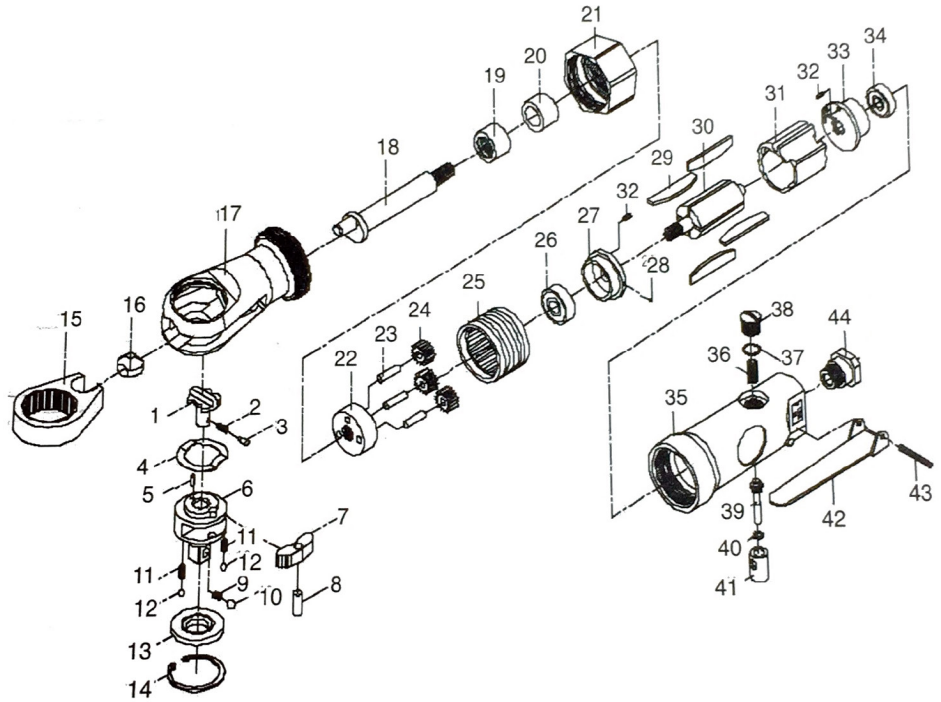


# T-6825 1/4" RATCHET WRENCH T-6826 3/8" RATCHET WRENCH



**OILING INSTRUCTIONS:  
OIL AFTER EACH USE WITH  
A FEW DROPS OF AIRTOOL  
OIL THROUGH THE AIR INLET.  
RUN FOR 1 SECOND TO  
COAT ALL INTERNAL PARTS.**



**ALWAYS KEEP RATCHET HEADS CLEAN &  
AWAY FROM SAND AND DIRT. FAILURE TO  
DO SO MAY VOID THE WARRANTY.**

**USE 90 PSI MAXIMUM**

REF #	PART #	DESCRIPTION	QTY	REF #	PART #	DESCRIPTION	QTY
1	682501	REVERSE BUTTON	1	23	682523	PIN	3
2	682502	SPRING	1	24	682524	PLANET GEAR	3
3	682503	PIN	1	25	682525	RING GEAR	1
4	682504	WEAR WASHER	1	26	682526	BEARING	1
5	682505	PAWL PIN	1	27	682527	FRONT END PLATE	1
6	682506	ANVIL 1/4"	1	28	682528	BALL	1
6	682606	ANVIL 3/8"	1	29	682529	ROTOR BLADES (SET OF 4)	1set
7	682507	PAWL	1	30	682530	ROTOR	1
8	682508	PIN	1	31	682531	CYLINDER	1
9	682509	DETENT SPRING	1	32	682532	PIN	2
10	682510	DETENT BALL	1	33	682533	REAR END PLATE	1
11	682511	SPRING	2	34	682534	CYLINDER	1
12	682512	STEEL BALL	2	35	682535	MOTOR HOUSING	1
13	682513	THRUST WASHER	1	36	682536	SPRING	1
14	682514	SNAP RING	1	37	682537	O-RING	1
15	682515	RATCHET YOKE	1	38	682538	VALVE SCREW	1
16	682516	DRIVE BUSHING	1	39	682539	THROTTLE VALVE	1
17	682517	RATCHET HOUSING	1	40	682540	O-RING	1
18	682518	CRANK SHAFT	1	41	682541	THROTTLE BUSHING	1
19	682519	NEEDLE BEARING	1	42	682542	THROTTLE LEVER	1
20	682520	BUSHING	1	43	682543	THROTTLE LEVER PIN	1
21	682521	CLAMP NUT	1	44	682544	AIR INLET	1
22	682522	IDLER GEAR PLATE	1				

505 N. Railroad Ave. 33435  
P.O. Box 1117 33425  
Boynton Beach, FL

SEE MORE OF OUR CATALOG AT  
[www.taylorpneumatic.com](http://www.taylorpneumatic.com)

JULY 2020 / ALL RIGHTS RESERVED / COPYRIGHT 2020

Ph. (561)732-1111  
Fax. (561)731-4412  
Toll Free (800) 805-8665