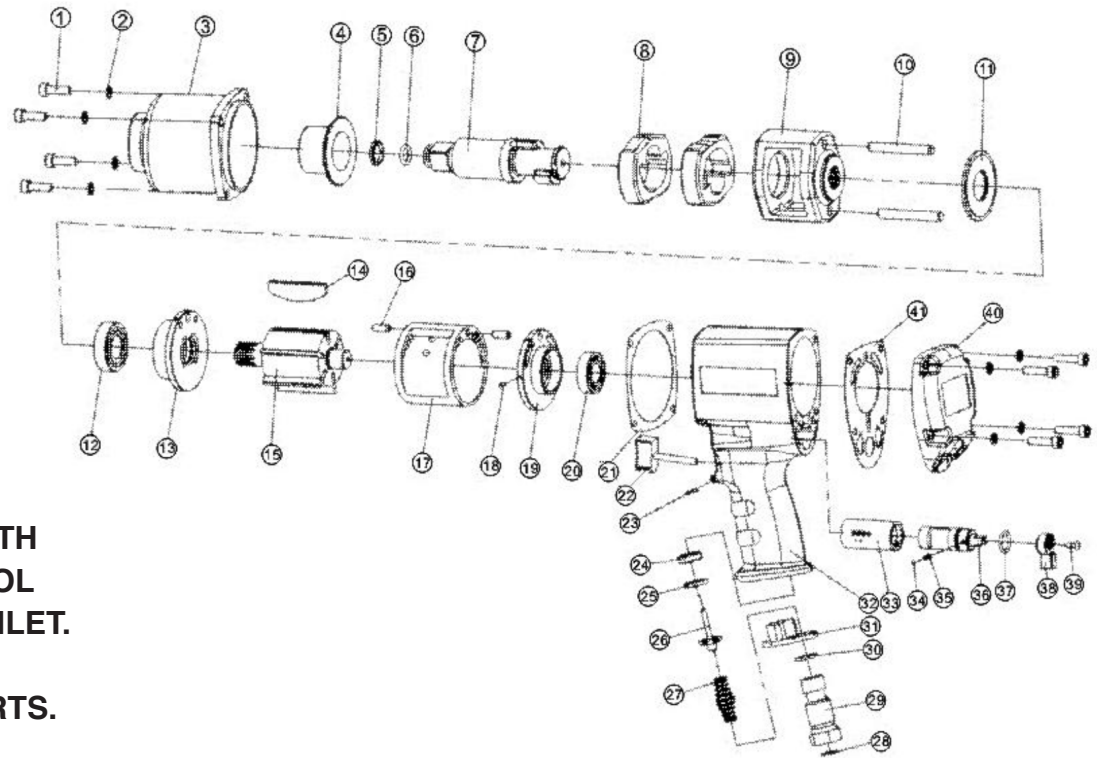


T-6775, L

SUPER DUTY 3/4" IMPACT WRENCH



OILING INSTRUCTIONS:
OIL AFTER EACH USE WITH
A FEW DROPS OF AIRTOOL
OIL THROUGH THE AIR INLET.
RUN FOR 1 SECOND TO
COAT ALL INTERNAL PARTS.

USE 90 PSI MAXIMUM

REF #	PART #	DESCRIPTION	QTY	REF #	PART #	DESCRIPTION	QTY
1	677501	CAP SCREW	8	21	677521	HAMMER CASE GASKET	1
2	677502	WASHER	8	22	677522	TRIGGER	1
3	677503	HAMMER CASE	1	23	677523	PIN	1
4	677504	BUSHING	1	24	677524	INLET GASKET	1
5	677505	SOCKET RETAINING RING	1	25	677525	RUBBER GASKET	1
6	677506	O-RING	1	26	677526	THROTTLE VALVE	1
7	677507	ANVIL	1	27	677527	SPRING	1
7A	6775L07	ANVIL 6" (NOT SHOWN)	1	28	677528	AIR INLET SCREEN	1
8	677508	HAMMER	2	29	677529	INLET BUSHING	1
9	677509	HAMMER CAGE	1	30	677530	O-RING	1
10	677510	HAMMER PIN	2	31	677531	EXHAUST DEFLECTOR	1
11	677511	WASHER	1	32	677532	HANDLE	1
12	677512	BEARING	1	33	677533	THROTTLE BUSHING	1
13	677513	FRONT END PLATE	1	34	677534	STEEL BALL	1
14	677514	VANE (6 PER SET)	1set	35	677535	SPRING	1
15	677515	ROTOR	1	36	677536	THROTTLE CORE	1
16	677516	PIN	2	37	677537	O-RING	1
17	677517	CYLINDER	1	38	677538	SWITCH	1
18	677518	PIN	1	39	677539	SWITCH SCREW	1
19	677519	REAR END PLATE	1	40	677540	BACK COVER	1
20	677520	BEARING	1	41	677541	BACK COVER GASKET	1

505 N. Railroad Ave. 33435
P.O. Box 1117 33425
Boynton Beach, FL

SEE MORE OF OUR CATALOG AT
www.taylorpneumatic.com

JULY 2020 / ALL RIGHTS RESERVED / COPYRIGHT 2020

Ph. (561)732-1111
Fax. (561)731-4412
Toll Free (800) 805-8665