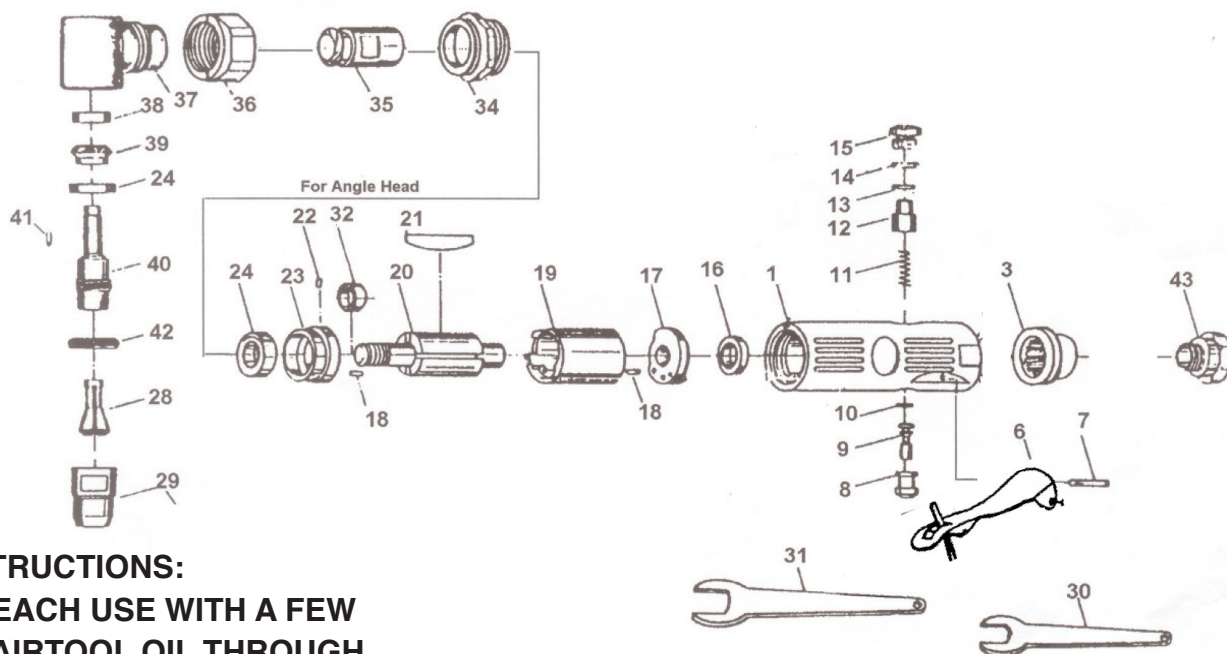


# T-6759R 1/4" ANGLE DIE GRINDER



## OILING INSTRUCTIONS:

**OIL AFTER EACH USE WITH A FEW DROPS OF AIRTOOL OIL THROUGH THE AIR INLET. RUN FOR 1 SECOND TO COAT ALL INTERNAL PARTS.**

### USE 90 PSI MAXIMUM

REF #	PART #	DESCRIPTION	QTY	REF #	PART #	DESCRIPTION	QTY
1	6759R01	HOUSING WITH BUSHING	1	24	6759R24	BEARING	1
3	6759R03	EXHAUST DEFLECTOR	1	28	T-7504	1/4" COLLET	1
6	6759R06	LEVER	1		T-7508	1/8" COLLET (OPTIONAL)	
7	6759R07	PIN	1	29	6759R29	COLLET NUT	1
8	6759R08	THROTTLE BUSHING	1	30	6759R30	WRENCH	1
9	6759R09	VALVE STEM	1	31	6759R31	WRENCH	1
10	6759R10	O-RING	1	32	6759R32	SPACER	1
11	6759R11	SPRING	1	34	6759R34	NUT	1
12	6759R12	REGULATOR	1	35	6759R35	BEVEL GEAR	1
13	6759R13	O-RING	1	36	6759R36	NUT	1
14	6759R14	O-RING	1	37	6759R37	ANGLE HEAD	1
15	6759R15	CAP	1	38	6759R38	BEARING	1
16	6759R16	BEARING	1	39	6759R39	BEVEL GEAR	1
17	6759R17	REAR END PLATE	1	40	6759R40	COLLET CASING	1
18	6759R18	BALL	2	41	6759R41	KEY	1
19	6759R19	CYLINDER	1	42	6759R42	BEARING CAP	1
20	6759R20	ROTOR	1	43	6759R43	AIR INLET	1
21	6759R21	ROTOR BLADE (4 PER SET)	1set				
22	6759R22	BALL	1				
23	6759R23	FRONT END PLATE	1				

505 N. Railroad Ave. 33435  
P.O. Box 1117 33425  
Boynton Beach, FL

FOR WARRANTY INFORMATION &  
WARRANTY REGISTRATION VISIT

[www.taylorpneumatic.com](http://www.taylorpneumatic.com)

05/23 / ALL RIGHTS RESERVED / COPYRIGHT 2023

Ph. (561)732-1111  
Fax. (561)731-4412  
Toll Free (800) 805-8665