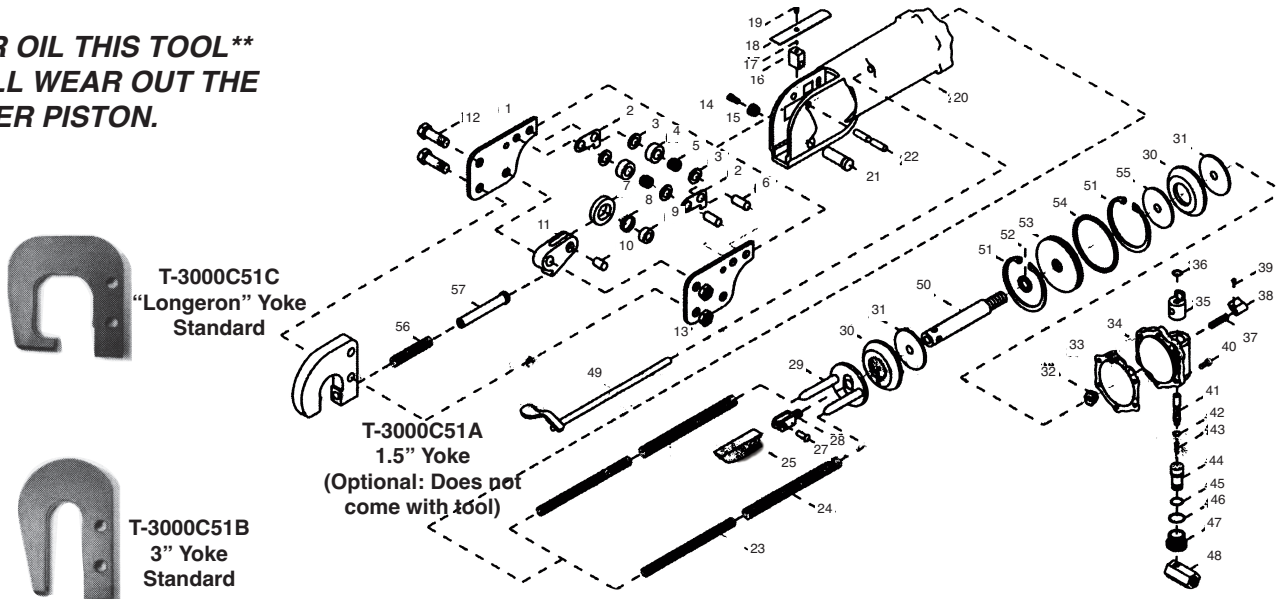


# T-6000C C-TYPE Compression Riveter With Safety Backhead



**\*NEVER OIL THIS TOOL\*\*  
OIL WILL WEAR OUT THE  
LEATHER PISTON.**



## USE 90 PSI MAXIMUM

Ref #	Part #	Description	Qty.	Ref #	Part #	Description	Qty.
1	6000C01	Yoke Frame Plate	2	31	6000C31	Piston Leather Plate	2
2	6000C02	Wedge Guide Plate	2	32	6000C32	Piston Rod Nut	1
3	6000C03	Roller Thrust Washer	4	33	6000C33	Cylinder Head Gasket	1
4	6000C04	Plate Roller	2	34	6000C34	Cylinder Head	1
5	6000C05	Needle Roller	40	35	6000C35	Throttle Valve Bushing	1
6	6000C06	Roller Shaft	2	36	6000C36	O-Ring (brass bushing)	1
7	6000C07	Outer Race	1	37	6000C37	Spring	1
8	6000C08	Needle Roller	25	38	6000C38	Lever Arm	1
9	6000C09	Inner Race	1	39	6000C39	Screw	1
10	6000C10	Bearing Shaft	1	40	6000C40	Allen Cap Screw	6
11	6000C11	Set Holder Lever	1	41	6000C41	Throttle Valve	1
12	6000C12	Yoke Bolt	2	42	6000C42	O-Ring	1
13	6000C13	Yoke Bolt Nut	2	43	6000C43	Throttle Valve Spring	1
14	6000C14	Lever Shaft Screw	1	44	6000C44	Swivel	1
15	6000C15	Lever Shaft Washer	1	45	6000C45	O-Ring	1
16	6000C16	Spacer Block	1	46	6000C46	O-Ring	1
17	6000C17	Set Screw	1	47	6000C47	Swivel Nut	1
18	6000C18	Guard	1	48	6000C48	Elbow	1
19	6000C19	Guard Screw	1	49	6000C49	Throttle Valve Lever	1
20	6000C20	Cylinder	1	50	6000C50	Piston Rod	1
21	6000C21	Lever Shaft	1	51	6000C51	C-Ring	2
22	6000C22	Spacer Block Pin	1	52	6000C52	O-Ring	1
23	6000C23	Piston Return Spring	2	53	6000C53	Separator	1
24	6000C24	Piston Return Spring	2	54	6000C54	O-Ring	1
25	6000C25	Short "C" Wedge	1	55	6000C55	Steel Plate	1
27	6000C27	Wedge Spacer Rivet	1	56	6000C56	Set Holder	1
28	6000C28	Piston Fork	1	57	6000C57	Set Holder Spring	1
29	6000C29	Piston	1				
30	6000C30	Piston Leather	2				

505 N. Railroad Ave. 33435  
P.O. Box 1117 33425  
Boynton Beach, Florida

FOR WARRANTY INFORMATION &  
WARRANTY REGISTRATION VISIT  
[www.taylorpneumatic.com](http://www.taylorpneumatic.com)

Ph. (561) 732-1111  
Fax (561) 731-4412  
Toll Free 800-805-8665