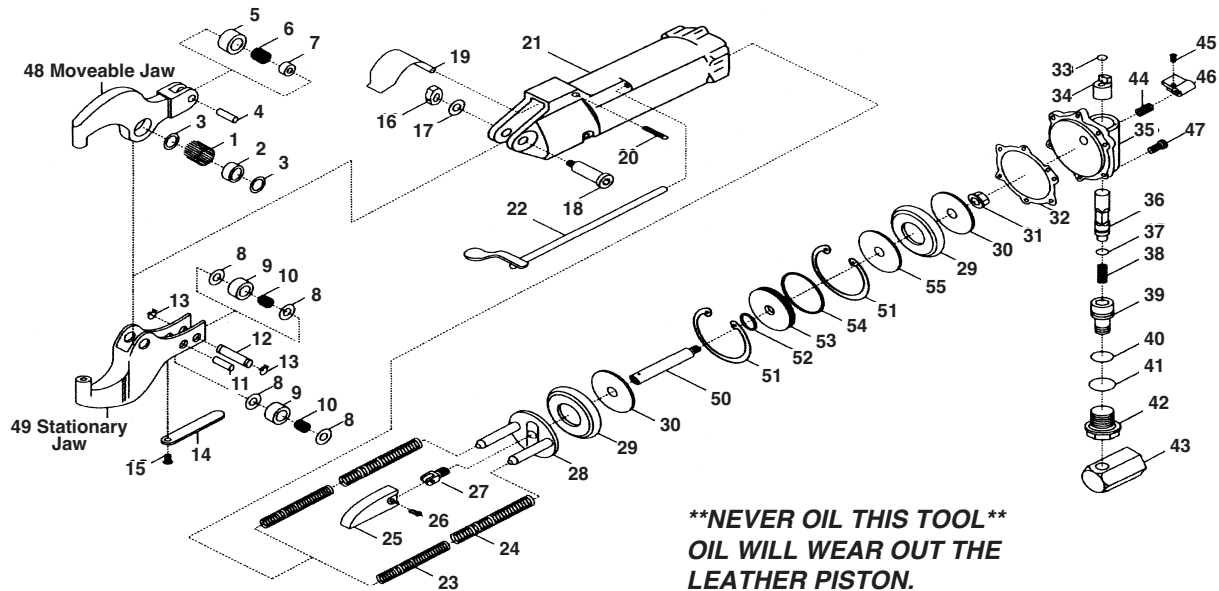


T-6000A & T-6000A3 A-TYPE Compression Riveter With Safety Backhead



****NEVER OIL THIS TOOL**
OIL WILL WEAR OUT THE
LEATHER PISTON.**

USE 90 PSI MAXIMUM

Ref #	Part #	Description	Qty.	Ref #	Part #	Description	Qty.
1	6000A01	Needle Roller	35	30	6000A30	Piston Leather Plate	2
2	6000A02	Pivot Bearing	1	31	6000A31	Piston Rod Nut	1
3	6000A03	Pivot Bearing Washer	2	32	6000A32	Cylinder Head Gasket	1
4	6000A04	End Roller Bearing Shaft	1	33	6000A33	O-Ring (Brass Bushing)	1
5	6000A05	Outer Race End Bearing	1	34	6000A34	Throttle Valve Bushing	1
6	6000A06	Needle Roller	29	35	6000A35	Cylinder Head	1
7	6000A07	Bearing Inner Race	1	36	6000A36	Throttle Valve	1
8	6000A08	Roller Thrust Washer	4	37	6000A37	O-Ring	1
9	6000A09	Roller Plate	2	38	6000A38	Throttle Valve Spring	1
10	6000A10	Needle Roller	40	39	6000A39	Swivel	1
11	6000A11	Roller Shaft, Short	1	40	6000A40	O-Ring	1
12	6000A12	Roller Shaft, Long	1	41	6000A41	O-Ring	1
13	6000A13	Arc Retainer Ring	2	42	6000A42	Swivel Nut	1
14	6000A14	Roller Guard	1	43	6000A43	Elbow	1
15	6000A15	Guard Screw	1	44	6000A44	Spring	1
16	6000A16	Bearing Bolt Nut	1	45	6000A45	Screw	1
17	6000A17	Bearing Bolt Washer	1	46	6000A46	Lever Arm	1
18	6000A18	Bearing Bolt	1	47	6000A47	Allen Cap Screw	6
19	6000A19	Return Spring- Heavy Duty	1	48	6000A48	Moveable Jaw (for 1.5)	1
20	6000A20	Return Spring Pin	1	49	6000A49	Stationary Jaw (for 1.5)	1
21	6000A21	Cylinder	1	48A3	6000A48A3	Moveable Jaw (for 3.0)	1
22	6000A22	Throttle Valve Lever	1	49A3	6000A49A3	Stationary Jaw (for 3.0)	1
23	6000A23	Piston Return Spring	2	50	6000A50	Piston Rod	1
24	6000A24	Piston Return Spring	2	51	6000A51	Retaining Ring	2
25	6000A25	Wedge Long "A"	1	52	6000A52	O-Ring	1
26	6000A26	Wedge Spacer Rivet	1	53	6000A53	Separator	1
27	6000A27	Piston Fork Short	1	54	6000A54	O-Ring	1
28	6000A28	Piston	1	55	6000A55	Steel Plate	1
29	6000A29	Piston Leather	2				

505 N. Railroad Ave. 33435
P.O. Box 1117 33425
Boynton Beach, Florida

FOR WARRANTY INFORMATION &
WARRANTY REGISTRATION VISIT
www.taylorpneumatic.com

11/22TPTC /all rights reserved /COPYRIGHT 2022 / final

Ph. (561) 732-1111
Fax (561) 731-4412
Toll Free 800-805-8665