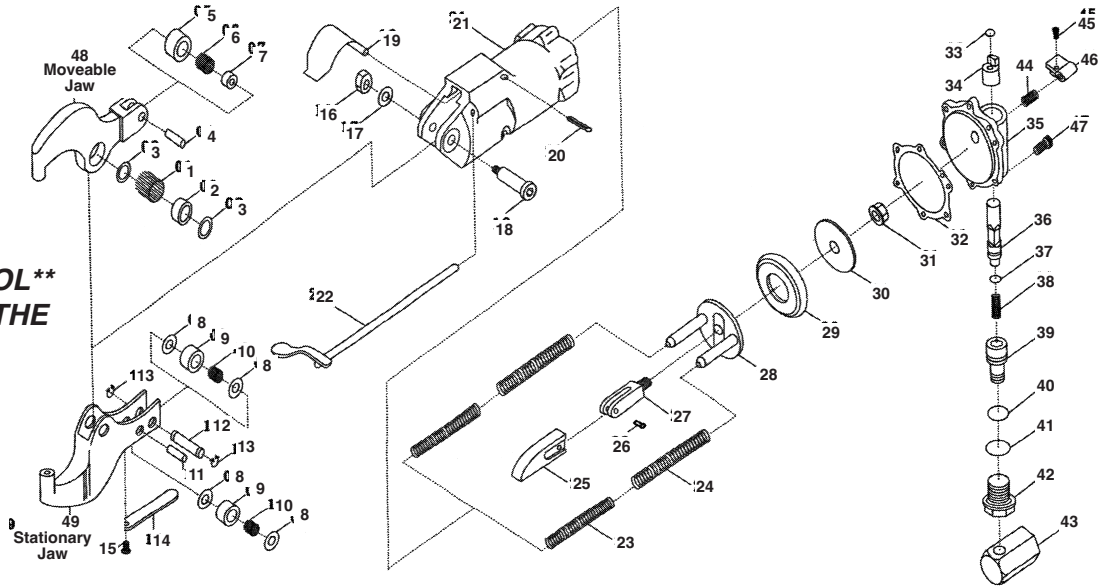


T-3000A A-TYPE Compression Riveter With Safety Backhead



****NEVER OIL THIS TOOL**
OIL WILL WEAR OUT THE
LEATHER PISTON.**

USE 90 PSI MAXIMUM

Ref #	Part #	Description	Qty.	Ref #	Part #	Description	Qty.
1	3000A01	Needle Roller	35	29	3000A29	Piston Leather	1
2	3000A02	Pivot Bearing	1	30	3000A30	Piston Leather Plate	1
3	3000A03	Pivot Bearing Washer	2	31	3000A31	Piston Rod Nut	1
4	3000A04	End Roller Bearing Shaft	1	32	3000A32	Cylinder Head Gasket	1
5	3000A05	Outer Race End Bearing	1	33	3000A33	O-Ring (Brass Bushing)	1
6	3000A06	Needle Roller	29	34	3000A34	Throttle Valve Bushing	1
7	3000A07	Bearing Inner Race	1	35	3000A35	Cylinder Head	1
8	3000A08	Roller Thrust Washer	4	36	3000A36	Throttle Valve	1
9	3000A09	Roller Plate	2	37	3000A37	O-Ring	1
10	3000A10	Needle Roller	40	38	3000A38	Throttle Valve Spring	1
11	3000A11	Roller Shaft, Short	1	39	3000A39	Swivel	1
12	3000A12	Roller Shaft, Long	1	40	3000A40	O-Ring	1
13	3000A13	Arc Retainer Ring	2	41	3000A41	O-Ring	1
14	3000A14	Roller Guard	1	42	3000A42	Swivel Nut	1
15	3000A15	Guard Screw	1	43	3000A43	Elbow	1
16	3000A16	Bearing Bolt Nut	1	44	3000A44	Spring	1
17	3000A17	Bearing Bolt Washer	1	45	3000A45	Screw	1
18	3000A18	Bearing Bolt	1	46	3000A46	Lever Arm	1
19	3000A19	Return Spring- Heavy Duty	1	47	3000A47	Allen Cap Screw	6
20	3000A20	Return Spring Pin	1	48	3000A48	Moveable Jaw (for 1.5)	1
21	3000A21	Cylinder	1	49	3000A49	Stationary Jaw (for 1.5)	1
22	3000A22	Throttle Valve Lever	1	48A	3000A48A	Moveable Jaw (for 3.0)	1
23	3000A23	Piston Return Spring	2	49A	3000A49A	Stationary Jaw (for 3.0)	1
24	3000A24	Piston Return Spring	2				
25	3000A25	Wedge	1				
26	3000A26	Wedge Spacer Rivet	1				
27	3000A27	Piston Fork	1				
28	3000A28	Piston	1				

505 N. Railroad Ave. 33435
P.O. Box 1117 33425
Boynton Beach, Florida

SEE OUR CATALOG
at
www.taylorpneumatic.com

11/15TPTC /all rights reserved /COPYRIGHT 2015 / final

Ph. (561) 732-1111
Fax (561) 731-4412
Toll Free 800-805-8665