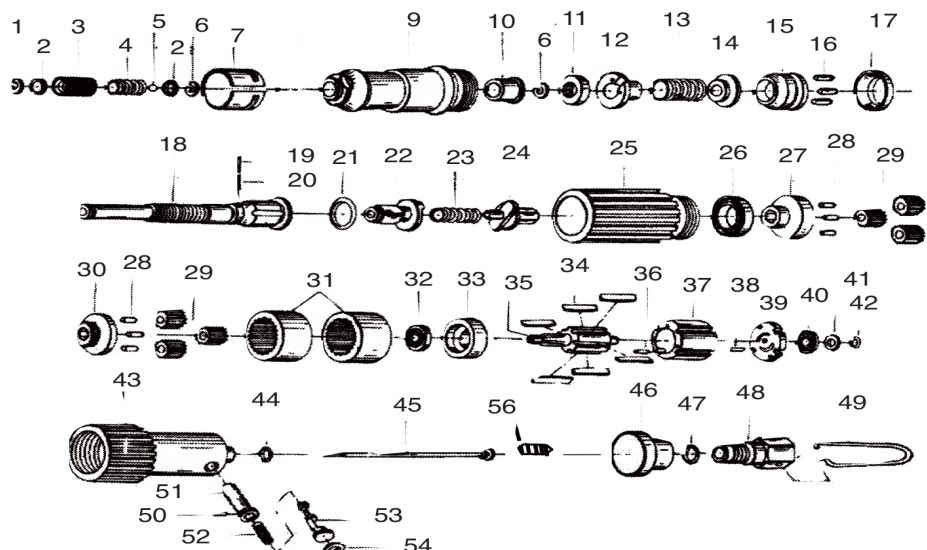


T-2440EX STRAIGHT PRODUCTION SCREWDRIVER



ADJUSTING TORQUE:
USE INCLUDED SCREWDRIVER
TO TURN LEFT FOR HIGHER
TORQUE, OR RIGHT FOR
LOWER TORQUE.

OILING INSTRUCTIONS:
OIL AFTER EACH USE WITH A FEW
DROPS OF AIRTOOL OIL THROUGH
THE AIR INLET. RUN FOR 1 SECOND
TO COAT ALL INTERNAL PARTS.



USE 90 PSI MAXIMUM

REF #	PART #	DESCRIPTION	QTY	REF #	PART #	DESCRIPTION	QTY
1	2440EX01	RETAINING RING	1	30	2440EX30	GEAR CAGE	1
2	2440EX02	RETAINING WASHER	2	31	2440EX31	RING GEAR	2
3	2440EX03	BALL RETAINER	1	32	2440EX32	BEARING	1
4	2440EX04	SPRING	1	33	2440EX33	FRONT END PLATE	1
5	2440EX05	BALL	1	34	2440EX34	ROTOR BLADES (6 PER SET)	1set
6	2440EX06	RETAINING RING	2	35	2440EX35	ROTOR	1
7	2440EX07	COVER	1	36	2440EX36	PIN	1
9	2440EX09	FRONT HOUSING	1	37	2440EX37	CYLINDER	1
10	2440EX10	BUSHING	1	38	2440EX38	PIN	1
11	2440EX11	ADJUSTING NUT	1	39	2440EX39	REAR END PLATE	1
12	2440EX12	ADJUSTING NUT PLATE	1	40	2440EX40	BEARING	1
13	2440EX13	SPRING	1	41	2440EX41	WASHER	1
14	2440EX14	SPRING SET	1	42	2440EX42	O-RING	1
15	2440EX15	BEARING CASE	1	43	2440EX43	HANDLE	1
16	2440EX16	PIN	3	44	2440EX44	O-RING	1
17	2440EX17	BEARING CASE	1	45	2440EX45	SWITCH PIN	1
18	2440EX18	CLUTCH SPINDLE	1	46	2440EX46	EXHAUST COVER	1
19	2440EX19	SWITCH PIN	1	47	2440EX47	O-RING	1
20	2440EX20	SPRING	1	48	2440EX48	AIR INLET	1
21	2440EX21	O-RING	1	49	2440EX49	BAIL	1
22	2440EX22	ECCENTRIC ROD	1	50	2440EX50	PIN	1
23	2440EX23	SPRING	1	51	2440EX51	REVERSE BUSHING	1
24	2440EX24	DOG	1	52	2440EX52	SPRING	1
25	2440EX25	GEAR HOUSING	1	53	2440EX53	VALVE STEM	1
26	2440EX26	BEARING	1	54	2440EX54	REVERSE RETAINER	1
27	2440EX27	CAGE	1	55	2440EX55	SCREWDRIVER (NOT SHOWN)	1
28	2440EX28	PIN	6	56	2440EX56	SPRING	1
29	2440EX29	GEAR	6				

505 N. Railroad Ave. 33435
P.O. Box 1117 33425
Boynton Beach, FL

FOR WARRANTY INFORMATION &
WARRANTY REGISTRATION VISIT

www.taylorpneumatic.com

Ph. (561)732-1111
Fax. (561)731-4412
Toll Free (800) 805-8665