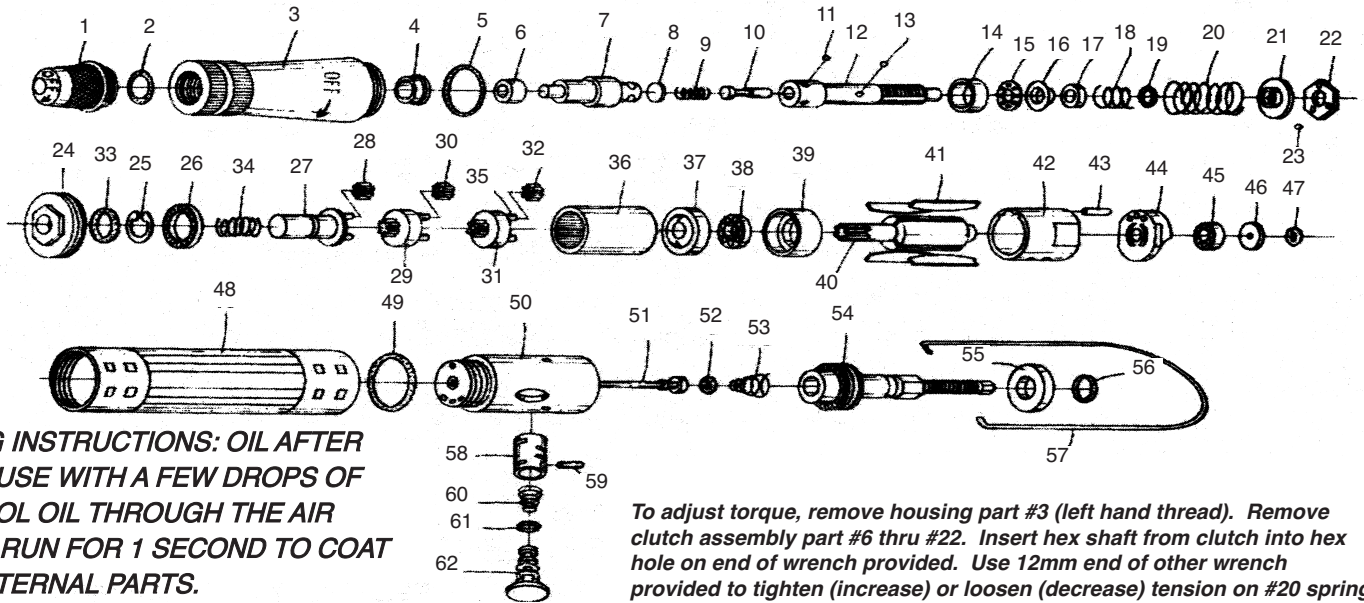


# T-2420EX Straight Production Screwdriver



**OILING INSTRUCTIONS: OIL AFTER EACH USE WITH A FEW DROPS OF AIRTOOL OIL THROUGH THE AIR INLET. RUN FOR 1 SECOND TO COAT ALL INTERNAL PARTS.**

*To adjust torque, remove housing part #3 (left hand thread). Remove clutch assembly part #6 thru #22. Insert hex shaft from clutch into hex hole on end of wrench provided. Use 12mm end of other wrench provided to tighten (increase) or loosen (decrease) tension on #20 spring.*

## USE 90 PSI MAXIMUM

Ref #	Part #	Description	Qty.	Ref #	Part #	Description	Qty.
1	2420EX01	Ball Retainer	1	32	2420EX32	Gear	3
2	2420EX02	O-Ring	1	33	2420EX33	O-Ring	1
3	2420EX03	Front Housing	1	34	2420EX34	Spring	1
4	2420EX04	Bushing	1	35	2420EX35	Pin	3
5	2420EX05	O-Ring	1	36	2420EX36	Ring Gear	1
6	2420EX06	Bit Retainer	1	37	2420EX37	Washer	1
7	2420EX07	Anvil	1	38	2420EX38	Bearing	1
8	2420EX08	Washer	1	39	2420EX39	Front End Plate	1
9	2420EX09	Spring	1	40	2420EX40	Rotor	1
10	2420EX10	Valve Pin	1	41	2420EX41	Vanes (4 Per Set)	1set
11	2420EX11	Ball	1	42	2420EX42	Cylinder	1
12	2420EX12	Body	1	43	2420EX43	Pin	1
13	2420EX13	Ball	1	44	2420EX44	Rear End Plate	1
14	2420EX14	Bushing	1	45	2420EX45	Bearing	1
15	2420EX15	Washer Bearing	1	46	2420EX46	Washer	1
16	2420EX16	Washer	1	47	2420EX47	O-Ring	1
17	2420EX17	Release Valve	1	48	2420EX48	Handle	1
18	2420EX18	Spring	1	49	2420EX49	O-Ring	1
19	2420EX19	O-Ring	1	50	2420EX50	Valve Body	1
20	2420EX20	Spring	1	51	2420EX51	Pin	1
21	2420EX21	Washer	1	52	2420EX52	O-Ring	1
22	2420EX22	Nut	1	53	2420EX53	Spring	1
23	2420EX23	Ball	1	54	2420EX54	Air Inlet	1
24	2420EX24	Nut	1	55	2420EX55	Exhaust Cover	1
25	2420EX25	Retaining Ring	1	56	2420EX56	O-Ring	1
26	2420EX26	Bearing	1	57	2420EX57	Bail	1
27	2420EX27	Spindle	1	58	2420EX58	Reverse Bushing	1
28	2420EX28	Gear	3	59	2420EX59	Pin	1
29	2420EX29	Gear Carrier	1	60	2420EX60	Spring	1
30	2420EX30	Gear	3	61	2420EX61	O-Ring	1
31	2420EX31	Gear Carrier	1	62	2420EX62	Valve Stem	1

505 N. Railroad Ave. (33435)  
P.O. Box 1117 (33425)  
Boynton Beach, Florida

FOR WARRANTY INFORMATION &  
WARRANTY REGISTRATION VISIT  
[www.taylorpneumatic.com](http://www.taylorpneumatic.com)

Ph. (561) 732-1111  
Fax (561) 731-4412  
Toll Free 800-805-8665