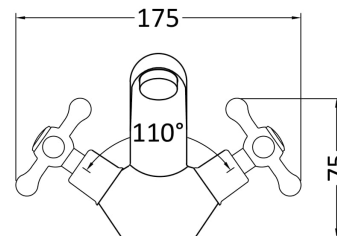
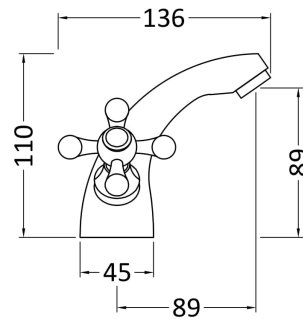


Sales Code: X385

Description: Viscount Mono Basin



### Product Dimensions

|                   |     |
|-------------------|-----|
| Height (mm):      | 110 |
| Width (mm):       | 175 |
| Depth (mm):       | 136 |
| Length (mm):      |     |
| Nett Weight (kg): | 1.3 |

### Packaging Dimensions

|                    |     |
|--------------------|-----|
| Height (mm):       | 120 |
| Width (mm):        | 182 |
| Depth (mm):        | 117 |
| Gross Weight (kg): | 1.5 |

### Packaging Data

|               |                     |
|---------------|---------------------|
| Box Colour:   | White Cardboard Box |
| Box Qty:      | 1                   |
| Label Size:   | 100 x 50            |
| Label Colour: | White Label         |
| Label Qty:    | 2                   |

### Outer Box Dimensions (If Applicable)

|                    |               |
|--------------------|---------------|
| Height (mm):       | 395           |
| Width (mm):        | 555           |
| Depth (mm):        | 245           |
| Length (mm):       |               |
| Gross Weight (kg): | 10            |
| Barcode:           | 5055275824498 |

### Product Details

|                           |                       |
|---------------------------|-----------------------|
| Country of Origin:        | China                 |
| Fitting Instruction:      | No                    |
| Product Material:         | Brass                 |
| Control Type:             | Manual                |
| Waste Included:           | Waste Included        |
| Waste Type:               | Push Button           |
| WRAS Approval:            | No                    |
| Approval No:              | N/A                   |
| Valve/Cartridge Type:     | 1/4 Turn Ceramic Disc |
| Colour/Finish:            | Chrome                |
| Mount Type:               | Deck                  |
| Operating Pressure (bar): | 0.1                   |

Flow Rates: (Litres Per Min) 0.1 bar: 8 0.5 bar: 24 1 bar: 30 2 bar: 38 3 bar: 42

Pipe Size: 15 mm (1/2" Bsp)

Pipe Centres: N/A