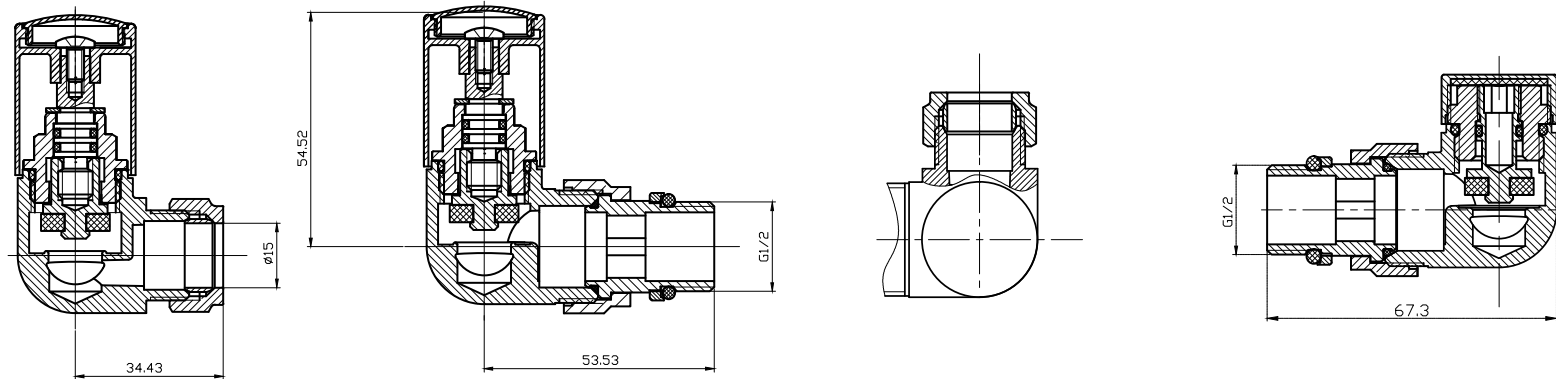


# Hugo2 Series

## Double Angle Valves

**tissino**

Designed to Inspire  
Made to Experience



**tissino**

T 0345 582 8000  
E [info@tissino.co.uk](mailto:info@tissino.co.uk)  
W [tissino.co.uk](http://tissino.co.uk)

2 Lyncastle Road  
Appleton Thorn  
Warrington WA4 4SN

We reserve the right to  
change this information  
without prior notice

