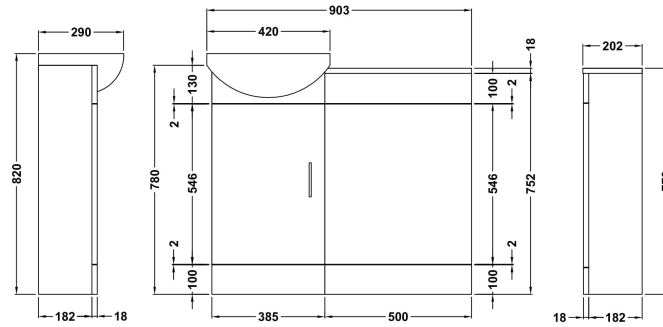


Sales Code: SIE001

Description: Sienna Cloakroom Pack

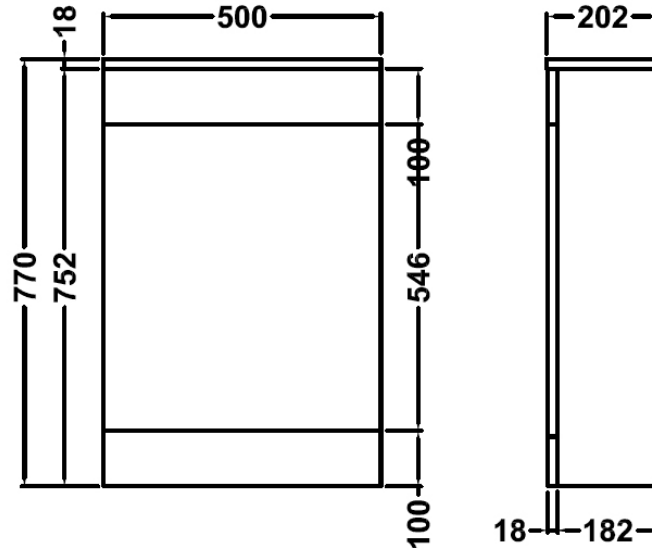


### Packaging Details

Barcode: 5055369008070

**Sales Code:** NVS142

**Description:** Gloss White 500 Wc Unit Inc Conc Cistern



**Product Dimensions**

Height (mm):	770
Width (mm):	500
Depth (mm):	202
Nett Weight (kg):	15.28

**Packaging Dimensions**

Height (mm):	230
Width (mm):	525
Depth (mm):	815
Gross Weight (kg):	15.28

**Packaging Data**

Box Colour:	Brown Cardboard Box - Printed
Box Qty:	1
Label Size:	100 x 50
Label Colour:	Not Applicable
Label Qty:	0

**Outer Box Dimensions (If Applicable)**

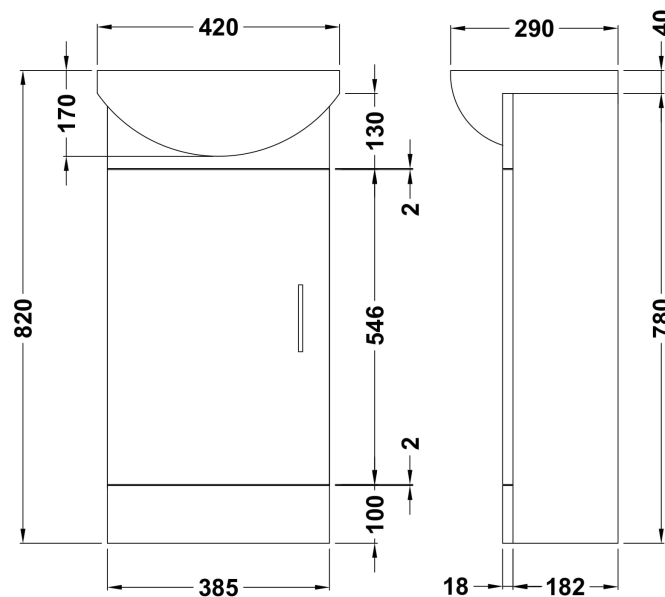
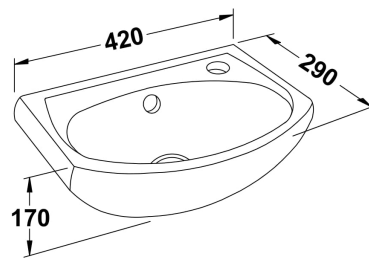
Height (mm):	
Width (mm):	
Depth (mm):	
Gross Weight (kg):	
Barcode:	5055369002580

**Product Details**

Country of Origin:	China
Fitting Instruction:	No
CE Certification:	No
FSC Certified Materials:	Yes
Colour:	Gloss White
Construction Method:	Cam & Wood Dowel
Construction Type:	Rigid
Cabinet Finish:	MFC Painted Gloss
Fascia Finish:	Mdf Painted Gloss
Cabinet Thickness (mm):	16
Fascia Thickness (mm):	18
Drawer Included:	No
Drawer Type:	Not Applicable
No of Shelves:	0
Hinge Type:	Not Applicable
Hinge Included:	No
Adjustable Legs:	No
Fixings Included:	No
Handle Style:	Not Applicable
Waste Shroud:	No
Handle Included:	No
Handle Type:	Not Applicable

Sales Code: NVS100

Description: 400 Gloss White Unit & Basin



### Product Dimensions

Height (mm):	780
Width (mm):	400
Depth (mm):	200
Nett Weight (kg):	17.14

### Packaging Dimensions

Height (mm):	810
Width (mm):	230
Depth (mm):	400
Gross Weight (kg):	17.14

### Packaging Data

Box Colour:	Brown Cardboard Box - Printed
Box Qty:	1
Label Size:	100 x 50
Label Colour:	Not Applicable
Label Qty:	0

### Outer Box Dimensions (If Applicable)

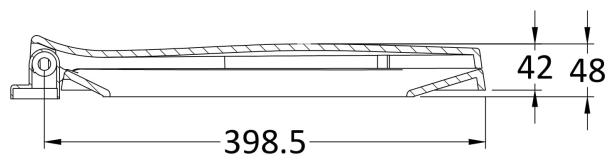
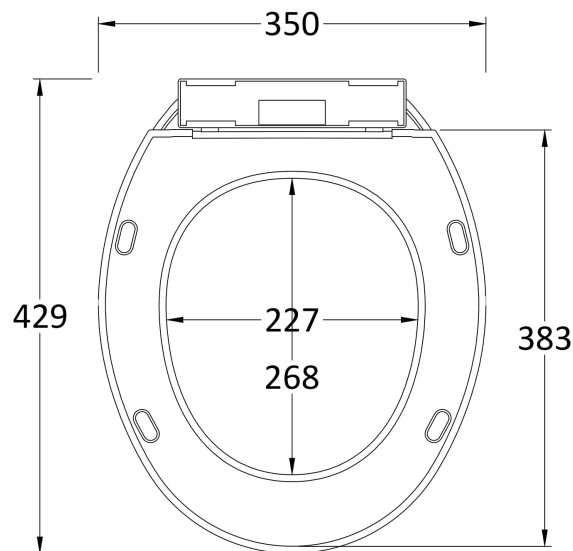
Height (mm):	
Width (mm):	
Depth (mm):	
Gross Weight (kg):	
Barcode:	5055369001880

### Product Details

Country of Origin:	China
Fitting Instruction:	No
CE Certification:	No
FSC Certified Materials:	Yes
Colour:	Gloss White
Construction Method:	Cam & Wood Dowel
Construction Type:	Rigid
Cabinet Finish:	MFC Painted Gloss
Fascia Finish:	Mdf Painted Gloss
Cabinet Thickness (mm):	16
Fascia Thickness (mm):	18
Drawer Included:	No
Drawer Type:	Not Applicable
No of Shelves:	1
Hinge Type:	95 Degree Clip-On Soft Close
Hinge Included:	Yes
Adjustable Legs:	No
Fixings Included:	No
Handle Style:	Modern
Waste Shroud:	No
Handle Included:	Yes
Handle Type:	Bar

Sales Code: NTS010

Description: Standard Round Seat, Sc, Bottom Fix



### Product Dimensions

Length (mm):	429
Width (mm):	350
Height (mm):	48
Nett Weight (kg):	1.4

### Packaging Dimensions

Length (mm):	440
Width (mm):	350
Height (mm):	70
Gross Weight (kg):	1.42

### Packaging Data

Box Colour:	White Cardboard Box - Printed
Box Qty:	1
Label Size:	100 x 50
Label Colour:	Not Applicable
Label Qty:	

### Outer Box Dimensions (If Applicable)

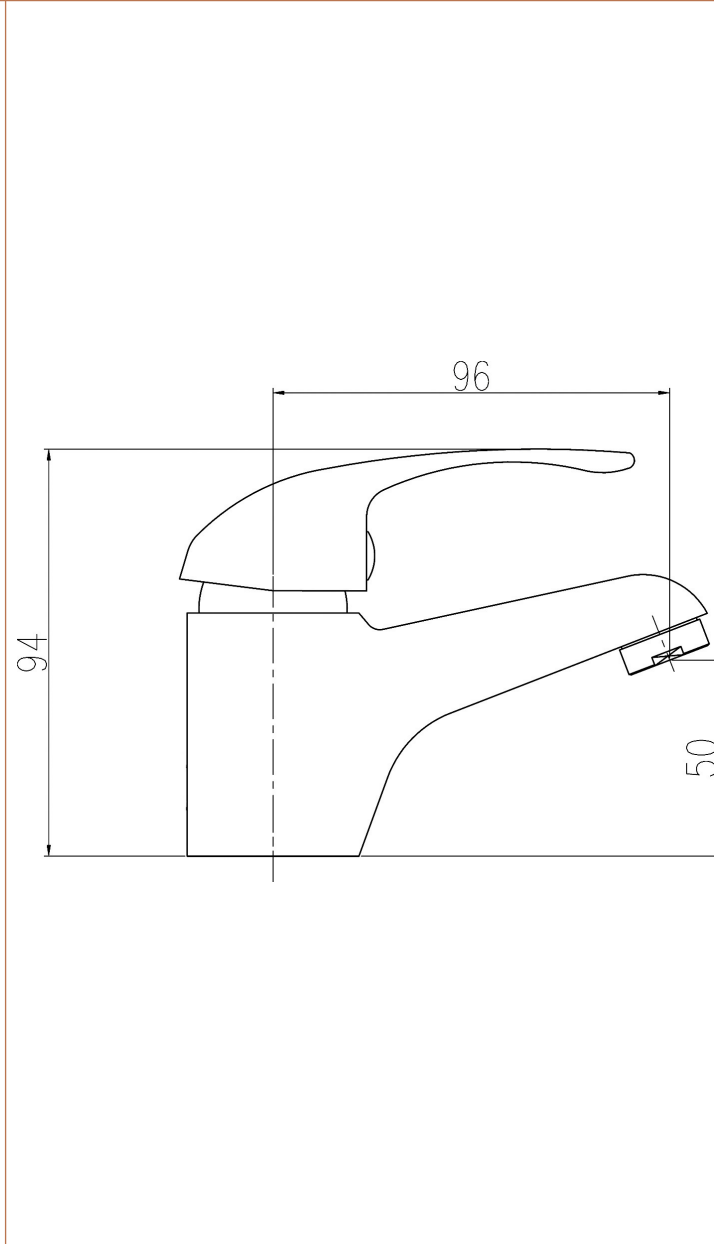
Length (mm):	480
Width (mm):	330
Height (mm):	400
Gross Weight (kg):	14
Barcode:	5055369001446

### Product Details

Country of Origin:	China
Fitting Instruction:	No
CE Certification:	Not Applicable
Product Material:	Polypropylene
Seat Type:	Round
Seat Function:	Soft Close
Hinge Centres (Min):	120
Hinge Centres (Max):	180
Hinge Material:	Polypropylene
Colour/Finish:	White
Fixing Method:	Bottom Fix

Sales Code: DTY345

Description: D-Type Mono Basin Push Button Waste)



**Product Dimensions**

Height (mm):	94
Width (mm):	40
Depth (mm):	123
Length (mm):	
Nett Weight (kg):	0.45

**Packaging Dimensions**

Height (mm):	129
Width (mm):	50
Depth (mm):	98
Gross Weight (kg):	0.48

**Packaging Data**

Box Colour:	White Cardboard Box
Box Qty:	1
Label Size:	100 x 50
Label Colour:	White Label
Label Qty:	2

**Outer Box Dimensions (If Applicable)**

Height (mm):	320
Width (mm):	360
Depth (mm):	400
Length (mm):	
Gross Weight (kg):	12
Barcode:	5055369027057

**Product Details**

Country of Origin:	China
Fitting Instruction:	No
Product Material:	Brass
Control Type:	Manual
Waste Included:	Waste Included
Waste Type:	Push Button
WRAS Approval:	Approval No: N/A
Valve/Cartridge Type:	Single Lever Cartridge
Colour/Finish:	Chrome
Mount Type:	Deck
Operating Pressure (bar):	0.5

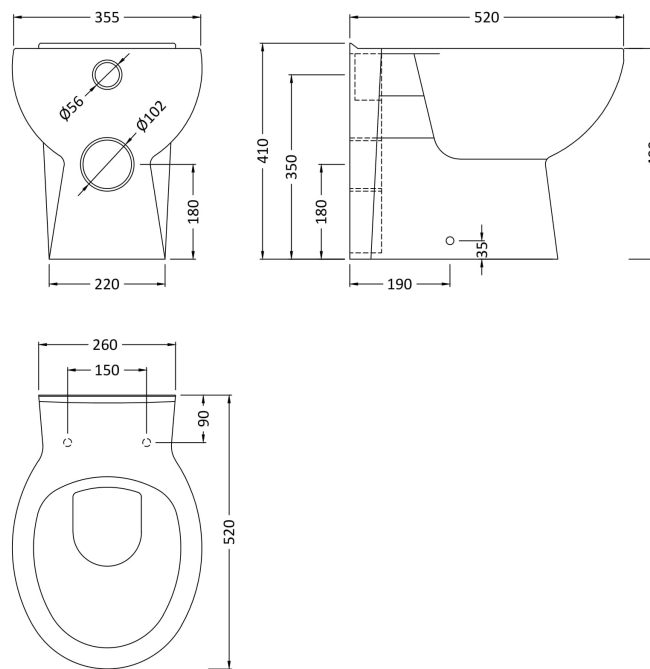
Flow Rates: (Litres Per Min) 0.1 bar: 2.5 0.5 bar: 6 1 bar: 7 2 bar: 11 3 bar: 14

Pipe Size: 15 mm (1/2" Bsp)

Pipe Centres: N/A

Sales Code: BTW002

Description: Standard Toilet Pan



### Product Dimensions

Height (mm):	410
Width (mm):	355
Depth (mm):	520
Nett Weight (kg):	18.5

### Packaging Dimensions

Height (mm):	420
Width (mm):	395
Depth (mm):	555
Gross Weight (kg):	19

### Packaging Data

Box Colour:	Brown Cardboard Box - Printed
Box Qty:	1
Label Size:	100 x 50
Label Colour:	Not Applicable
Label Qty:	2

### Outer Box Dimensions (If Applicable)

Height (mm):	
Width (mm):	
Depth (mm):	
Gross Weight (kg):	
Barcode:	5055369003730

### Product Details

Country of Origin:	China
Fitting Instruction:	No
Certification:	CE: Yes WRAS: N/A WRAS No: N/A
Product Material:	Vitreous China
Fixing Supplied:	No

**Pans/Bidets:** Trap Style: P Trap Includes Seat: No

**Seats:** Seat Type: Round Material: Not Applicable  
Function: Not Applicable Hinge Type: Top & Bottom Fix  
Hinge Material: Not Applicable

**Cisterns:** Operating Type: Not Applicable Fittings: Not Applicable  
Lever Type: Not Applicable

**Basins:** Tap Hole: Not Applicable Chain Stay Hole: Not Applicable  
Template: Not Applicable Waste Type Req: Not Applicable  
Overflow Inc: Not Applicable Overflow Cover: Not Applicable  
Inner Bowl Depth (mm): N/A