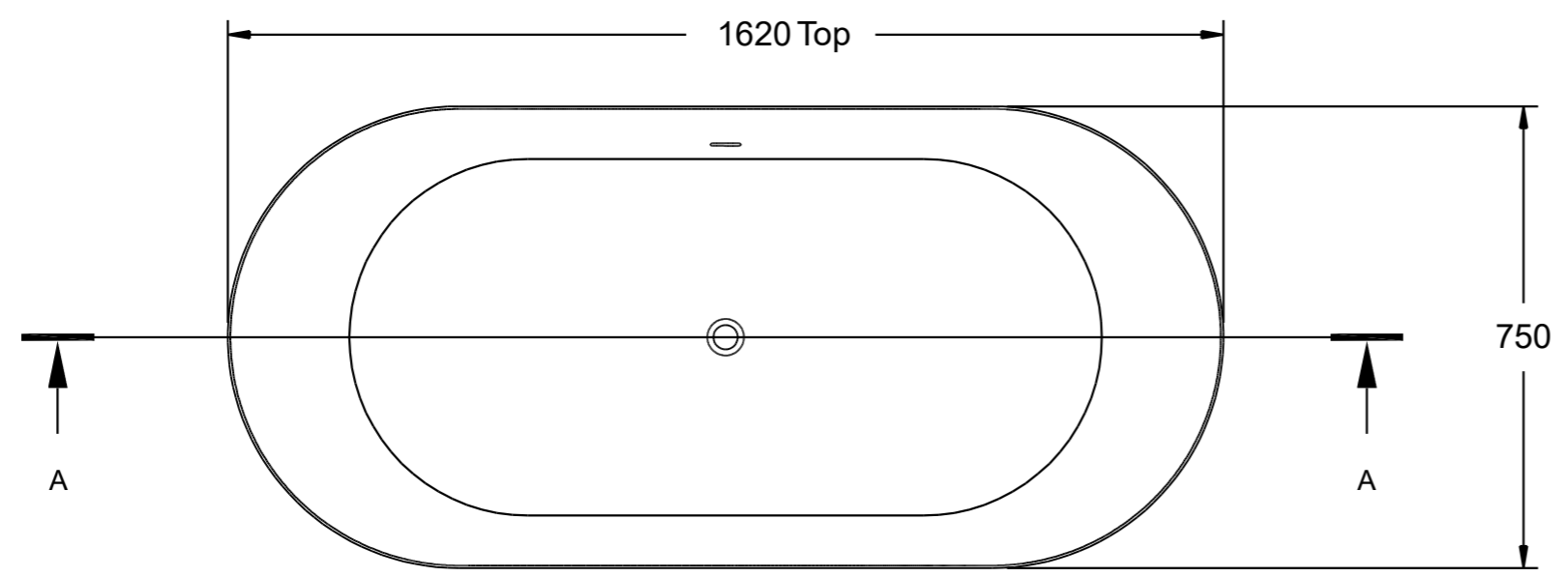
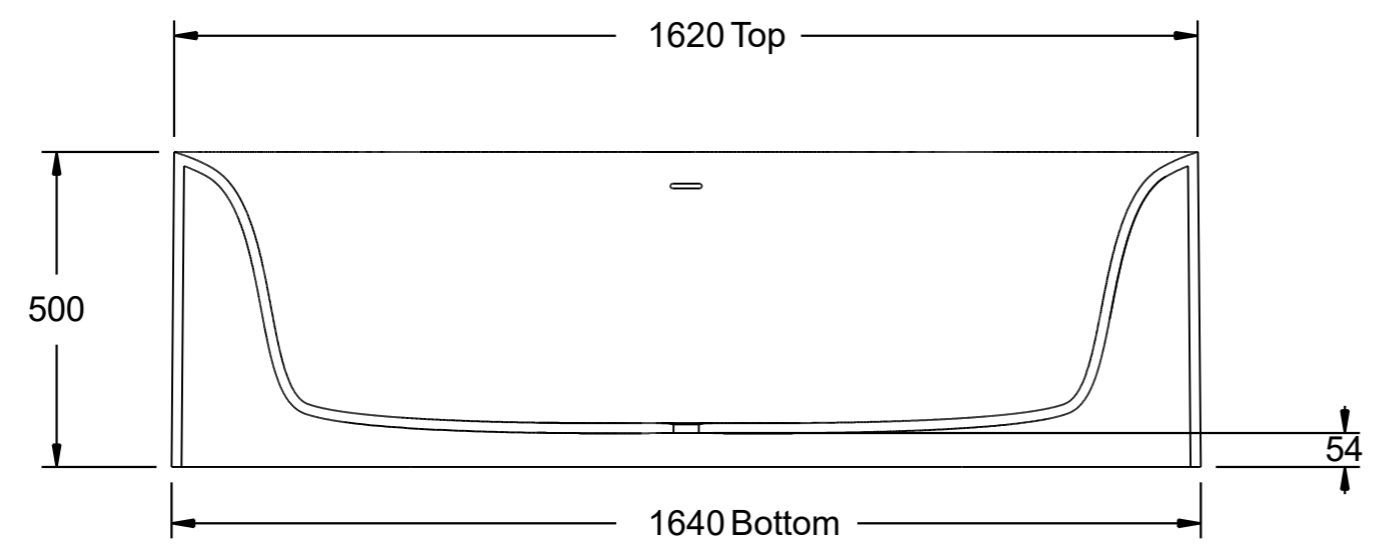


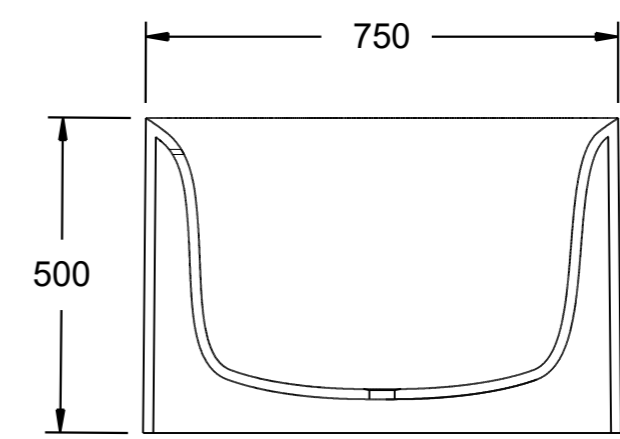
USED ON	NEXT HIGHER ASSEMBLY
-	-





Top view



Section A-A



Side section view

				SCALE: 1:12 ON A3		DO NOT SCALE, USE DIMENSIONS. ALL DIMENSIONS ARE IN mm	MATL:	WEIGHT = 97 kg			
						RESTRICTED		TITLE:	PORTMAN BATH		
					FINAL APPR			SUB TITLE:			
					APPROVED			CAD No:	DRAWING No:	1/1	Rev: -2
					APPROVED						
2	FKV	17/01/2022	Updated wall taper dims								
1	FKV	21/06/2019	Update dimensions and product code								
REV	DRAWN	DATE	PARTICULARS	ECP No.							
						DRAWN	FKV	24/01/2019			