

6

5

4

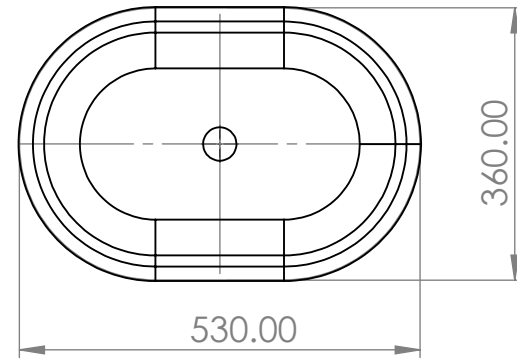
3

2

1

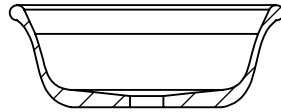
D

D

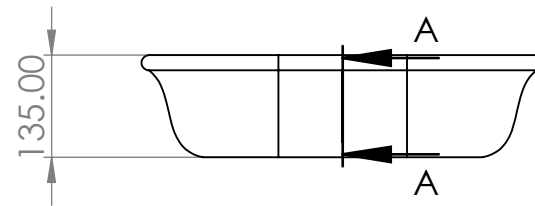


C

C



SECTION A-A



B

B

UNLESS OTHERWISE SPECIFIED: DIMENSIONS ARE IN MILLIMETERS SURFACE FINISH: TOLERANCES: LINEAR: ANGULAR:				FINISH:		DEBURR AND BREAK SHARP EDGES		DO NOT SCALE DRAWING		REVISION 1	
								BC DESIGNS			
								TITLE: Omnia Basin 530 x 360 x 135			
						MATERIAL: Cian Solid Surfacing		DWG NO.		A4	
						WEIGHT: 6.4 Kg's		SCALE:1:10		SHEET 1 OF 1	

A

A

6

5

4

3

2

1