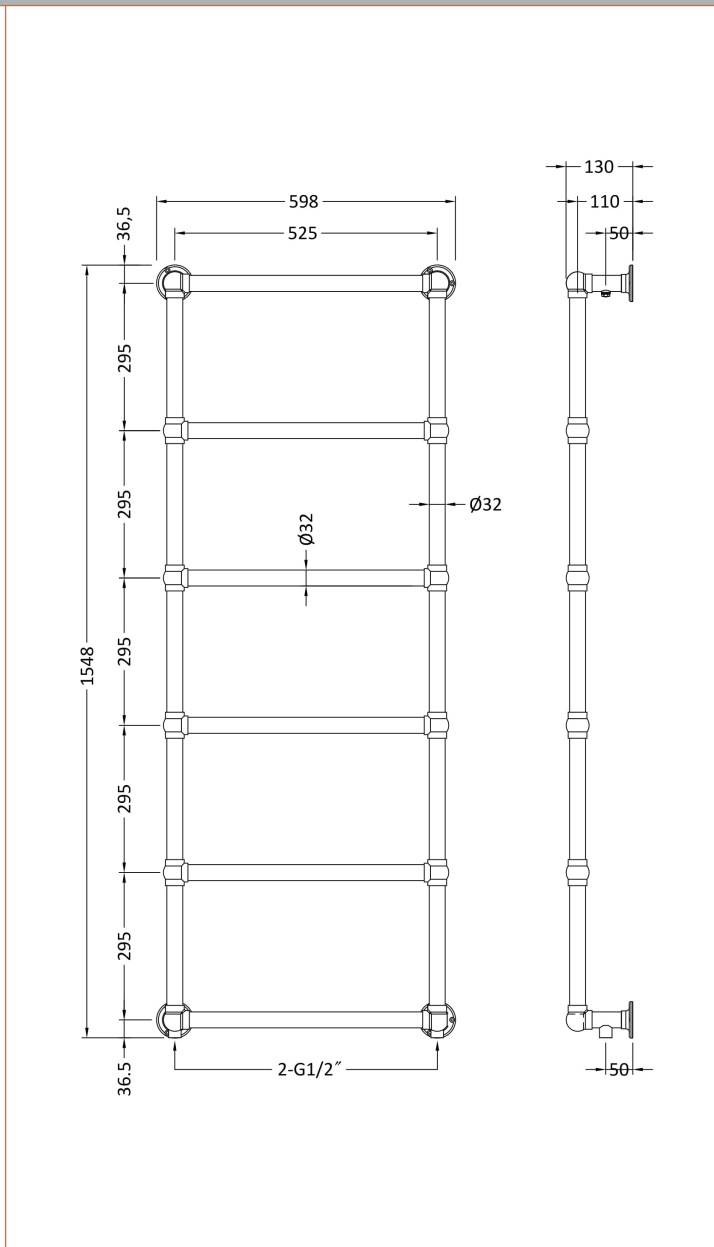


Sales Code: HL354

Description: Countess W/Mtd Towel Rail 1550X600x130



**Product Dimensions**

Height (mm):	1548
Width (mm):	598
Depth (mm):	130
Length (mm):	
Nett Weight (kg):	9.3

**Packaging Dimensions**

Height (mm):	145
Width (mm):	620
Length (mm):	1575
Gross Weight (kg):	11.3

**Packaging Data**

Box Colour:	White Cardboard Shrinkwrapped
Box Qty:	1
Label Size:	100 x 50
Label Colour:	White Label
Label Qty:	2

**Outer Box Dimensions (If Applicable)**

Height (mm):	
Width (mm):	
Length (mm):	
Gross Weight (kg):	
Barcode:	5055369047963

**Product Details**

Country of Origin:	China
Fitting Instruction:	No
Certification:	CE: Yes    RoHS: N/A    WEEE: N/A
Colour/Finish:	Chrome
RAL No:	N/A
Product Material:	Steel
Heat Element Wattage:	Not Applicable
Heating Element Wattage Compatible:	N/A
BTU Outputs:	30°C / 488    50°C / 922    60°C / 1168
Thermal Outputs: (Watts)	30°C / 143    50°C / 270    60°C / 338
Pipe Centres - If Vertical:	525mm
Pipe Centres - If Horizontal:	N/A
Max Projection:	130mm
Tube Diameter:	32mm
Packaging Volume (L):	142
Wall to Centre of Tappings:	N/A
Floor to Centre of Tappings:	50
Dual Fuel:	N/A
IP Rating:	