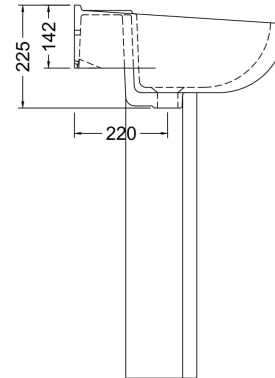
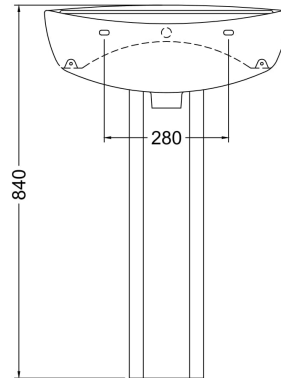
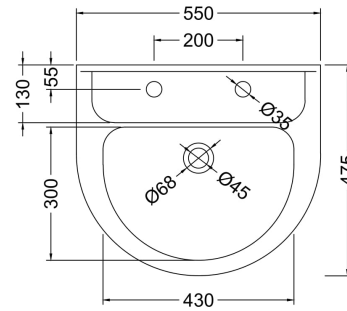


Sales Code: Cml003

Description: Melbourne 2Th Large Basin & Pedestal

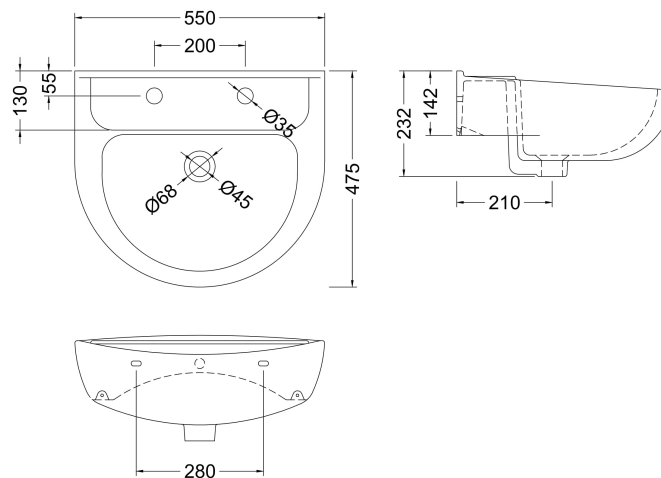


Packaging Details

Barcode: 5055275897003

Sales Code: NCS122

Description: Melbourne Large Basin 2Th



Product Dimensions

| | |
|-------------------|------|
| Height (mm): | 232 |
| Width (mm): | 550 |
| Depth (mm): | 475 |
| Nett Weight (kg): | 12.5 |

Packaging Dimensions

| | |
|--------------------|------|
| Height (mm): | 245 |
| Width (mm): | 570 |
| Depth (mm): | 485 |
| Gross Weight (kg): | 12.7 |

Packaging Data

| | |
|---------------|---------------------|
| Box Colour: | Brown Cardboard Box |
| Box Qty: | 1 |
| Label Size: | 110 x 50 |
| Label Colour: | White Label |
| Label Qty: | 2 |

Outer Box Dimensions (If Applicable)

| | |
|--------------------|---------------|
| Height (mm): | |
| Width (mm): | |
| Depth (mm): | |
| Gross Weight (kg): | |
| Barcode: | 5055369026517 |

Product Details

| | |
|----------------------|-------------------------------|
| Country of Origin: | China |
| Fitting Instruction: | No |
| Certification: | CE: No WRAS: N/A WRAS No: N/A |
| Product Material: | Vitreous China |
| Fixing Supplied: | Not Applicable |

Pans/Bidets: Trap Style: Not Applicable Includes Seat: Not Applicable

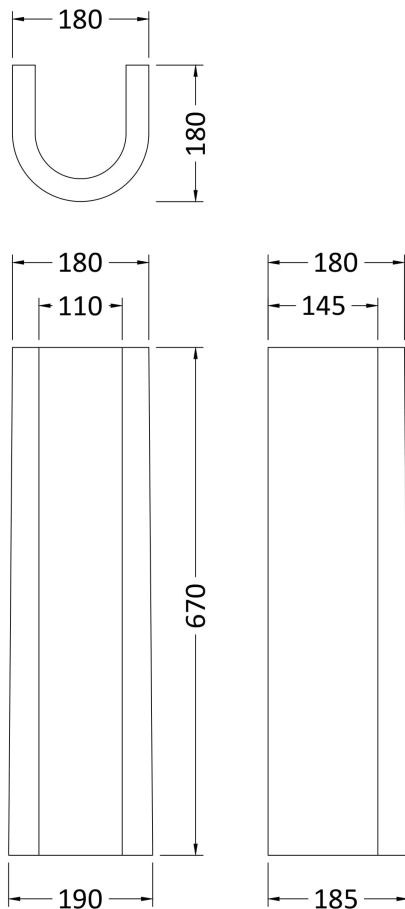
Seats: Seat Type: Not Applicable Material: Not Applicable
Function: Not Applicable Hinge Type: Not Applicable
Hinge Material: Not Applicable

Cisterns: Operating Type: Not Applicable Fittings: Not Applicable
Lever Type: Not Applicable

Basins: Tap Hole: Two Tapholes Chain Stay Hole: No
Template: Not Required Waste Type Req: Slotted
Overflow Inc: Yes Overflow Cover: Yes
Inner Bowl Depth (mm): 160mm

Sales Code: NCS103

Description: Melbourne Pedestal



Product Dimensions

| | |
|-------------------|------|
| Height (mm): | 670 |
| Width (mm): | 180 |
| Depth (mm): | 180 |
| Nett Weight (kg): | 11.5 |

Packaging Dimensions

| | |
|--------------------|------|
| Height (mm): | 710 |
| Width (mm): | 190 |
| Depth (mm): | 190 |
| Gross Weight (kg): | 11.7 |

Packaging Data

| | |
|---------------|-------------------------------|
| Box Colour: | Brown Cardboard Box - Printed |
| Box Qty: | 1 |
| Label Size: | 100 x 50 |
| Label Colour: | White Label |
| Label Qty: | 2 |

Outer Box Dimensions (If Applicable)

| | |
|--------------------|---------------|
| Height (mm): | |
| Width (mm): | |
| Depth (mm): | |
| Gross Weight (kg): | |
| Barcode: | 5060272820114 |

Product Details

| | |
|----------------------|--------------------------------|
| Country of Origin: | China |
| Fitting Instruction: | No |
| Certification: | CE: N/A WRAS: N/A WRAS No: N/A |
| Product Material: | Vitreous China |
| Fixing Supplied: | No |

Pans/Bidets: Trap Style: Not Applicable Includes Seat: Not Applicable

Seats: Seat Type: Not Applicable Material: Not Applicable
Function: Not Applicable Hinge Type: Not Applicable
Hinge Material: Not Applicable

Cisterns: Operating Type: Not Applicable Fittings: Not Applicable
Lever Type: Not Applicable

Basins: Tap Hole: Not Applicable Chain Stay Hole: Not Applicable
Template: Not Applicable Waste Type Req: Not Applicable
Overflow Inc: Not Applicable Overflow Cover: Not Applicable
Inner Bowl Depth (mm): N/A