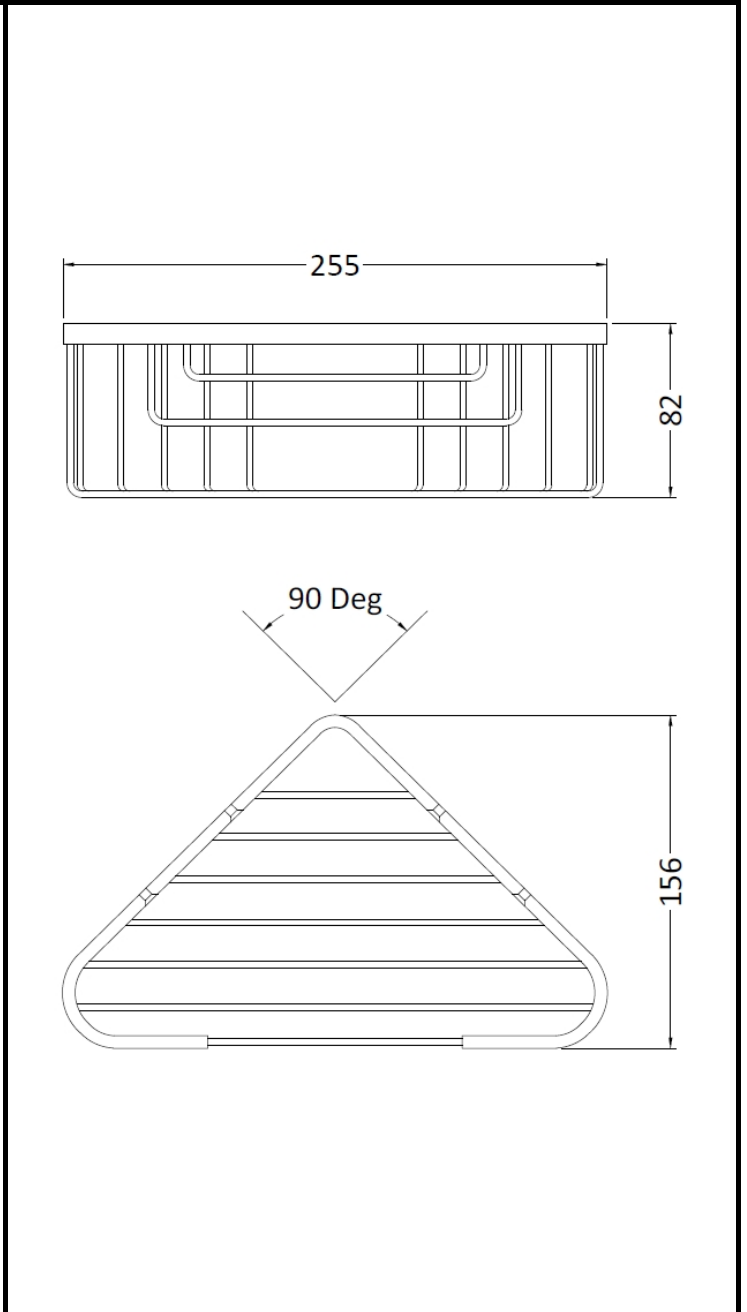
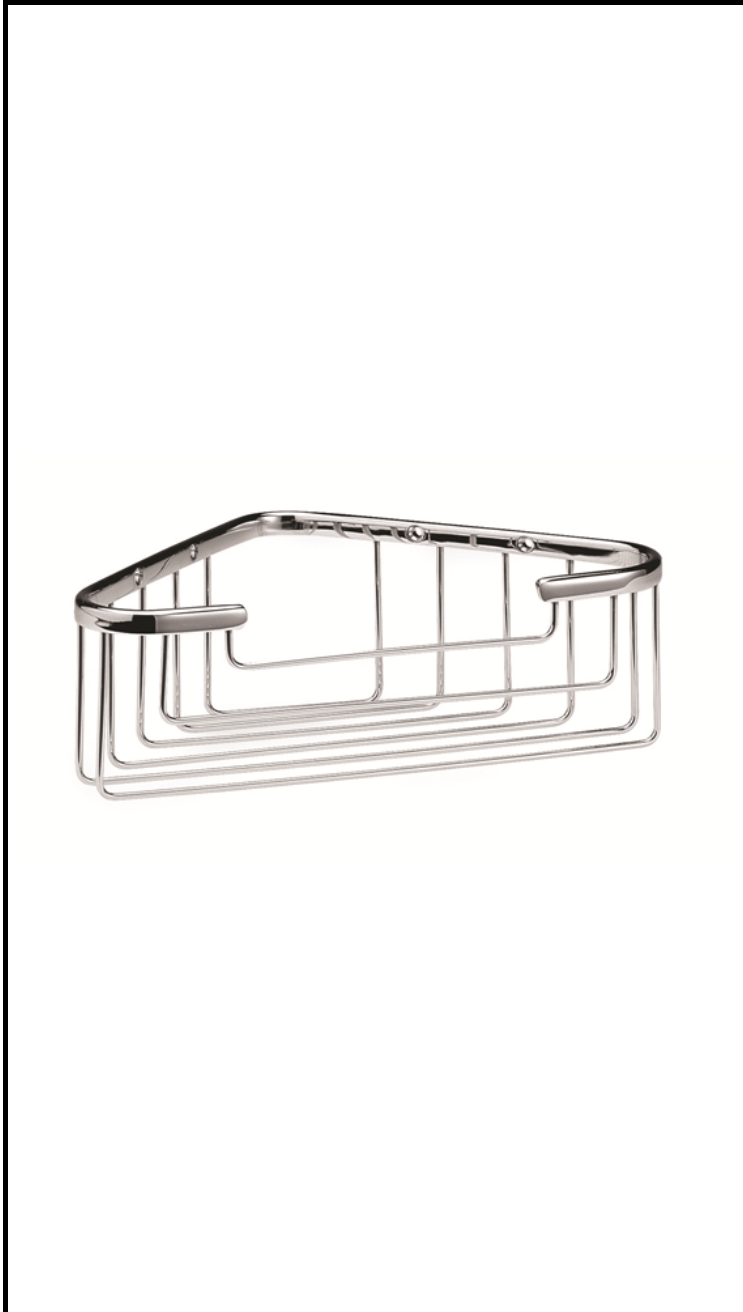


## CUSTOMER SPECIFICATION SHEET - WASTES & EXTRAS

**CODE:** CMA050    **DESCRIPTION:** Victrion Deep Corner Basket

**CATEGORY:** Wastes & Extras



PRODUCT DIMENSIONS				
Height (mm)	Width (mm)	Length (mm)	Depth (mm)	Nett Wgt Kg
82	255		156	0.5

PACKAGING DIMENSIONS				
Height (mm)	Width (mm)	Depth (mm)	Gross Wgt Kg	
220	220	100	0.5	

PACKAGING DATA			
Box Colour	White Cardboard Box		
Box Qty	1	Label Colour	White Label
Label Size	100 x 50	Label Qty	2

OUTER BOX DIMENSIONS (If Applicable)				
Height (mm)	Width (mm)	Length (mm)	Depth (mm)	Gross Wgt Kg
Barcode				

PRODUCT DETAILS	
Country of Origin	China
Fitting Instruction	No
Product Material	Brass
Heating Element Wattage	Not Applicable

CE Certification	N/A
Colour/Finish	Chrome
Product Diameter	Not Applicable
Connection Size	Not Applicable